

Price List 2011

Electric power tools | Air tools | Accessories

FESTOOL



Order no.	Type	Tool Points	Trade price € exc. VAT
-----------	------	-------------	------------------------

Drilling and screwdriving



564272	CXS Li 1,3 Set GB	24	249,00
564268	CXS Li 1,3 Plus GB	24	189,00
564328	C 12 Li 1,3 Set GB	36	475,00
564324	C 12 Li 1,3 Plus GB	36	379,00
564344	C 12 Li/GG	36	249,00
564336	C 15 Li 2,6 Set GB	41	519,00
564332	C 15 Li 2,6 Plus GB	41	429,00
564343	C 15 Li/GG	41	295,00
564298	T 12+3 Li 2,6 Plus GB	39	399,00
564309	T 15+3 Li 2,6 Set GB	41	519,00
564306	T 15+3 Li 2,6 Plus GB	41	429,00
564346	T 18+3 Li 2,6 Set GB	43	549,00
564340	T 18+3 Li 2,6 Plus GB	43	459,00

Sawing with Jigsaws

Pendulum jigsaws

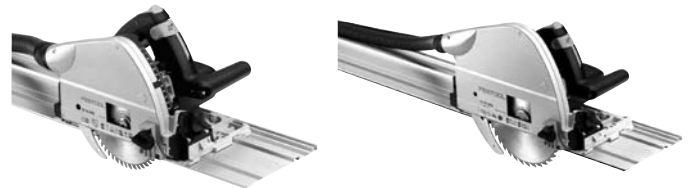


561492	PS 400 EBQ-Set GB 240V	29	469,00
561493	PS 400 EBQ-Set GB 110V	29	469,00
561463	PS 400 EBQ-Plus GB 240V	29	305,00
561464	PS 400 EBQ-Plus GB 110V	29	305,00
561494	PSB 400 EBQ-Set GB 240V	29	469,00
561495	PSB 400 EBQ-Set GB 110V	29	469,00
561469	PSB 400 EBQ-Plus GB 240V	29	305,00
561470	PSB 400 EBQ-Plus GB 110V	29	305,00
561501	PSC 400 EB-Set Li 15 GB 240V	40	549,00
561474	PSC 400 EB-Plus Li 15 GB 240V	40	389,00
561478	PSC 400 GG -Plus Li 15	40	329,00
561548	PSC 400 EB-Set Li 18 GB 240V	40	575,00
561544	PSC 400 EB-Plus Li 18 GB 240V	40	409,00
561533	PSC 400 GG -Plus Li 18	40	349,00
561505	PBSC 400 EB-Set Li 15 GB 240V	40	549,00
561480	PSBC 400 EB-Plus Li 15 GB 240V	40	389,00
561484	PSBC 400 EB/GG Li 15	40	329,00
561540	PSBC 400 EB-Set Li 18 GB 240V	40	575,00
561536	PSBC 400 EB-Plus Li 18 GB 240V	40	409,00
561534	PSBC 400 GG-Plus Li 18	40	349,00
561450	PS 300 EQ-Plus GB 240V	20	239,00
561449	PS 300 EQ-Plus GB 110V	20	239,00
561459	PSB 300 EQ-Plus GB 240V	20	239,00
561457	PSB 300 EQ-Plus GB 110V	20	239,00

Order no.	Type	Tool Points	Trade price € exc. VAT
-----------	------	-------------	------------------------

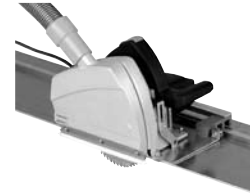
Sawing with portable circular saws

Circular saws



561515	TS 55 EBQ-Plus-FS GB 240V	38	455,00
561311	TS 55 EQ-Plus-FS GB 110V	38	455,00
561429	TS 55 EBQ-Plus GB 240V	38	409,00
561431	TS 55 EQ-Plus GB 110V	38	409,00
561517	TS 55 Q-Plus-FS GB 240V	31	385,00
561514	TS 75 EBQ-Plus-FS GB 240V	47	609,00
561441	TS 75 EBQ-Plus GB 240V	47	559,00
561259	TS 75 EQ-Plus-FS GB 110V	47	609,00
561439	TS 75 EQ-Plus GB 110V	47	559,00

Building materials saw



561442	AXT 50 LA-Plus	97	1.139,00
--------	----------------	----	----------

Semi-stationary sawing

Trimming saw PRECISIO



561202	CS 50 EB-Set GB 240V	91	1.765,00
561204	CS 50 E-Set GB 110V	91	1.765,00
561194	CS 50 EB GB 240V	91	1.089,00
561196	CS 50 E GB 110V	91	1.175,00
561253	CS 70 EB-Set GB 240V	128	2.309,00
561310	CS 70 E-Set GB 110V	128	2.309,00
561254	CS 70 EB GB 240V	128	1.499,00
561257	CS 70 E GB 110V	128	1.265,00

Sliding compound mitre saw KAPEX



561413	KS 88 UG-Set GB 240V	111	1.369,00
561414	KS 88 UG-Set GB 110V	111	1.369,00
561400	KS 88 E GB 240V	71	820,00
561399	KS 88 E GB 110V	71	820,00
561417	KS 120 UG-Set GB 240V	140	1.615,00
561418	KS 120 UG-Set GB 110V	140	1.615,00
561291	KS 120 EB Set GB 240V	140	1.779,00
561292	KS 120 EB Set GB 110V	140	1.779,00
561285	KS 120 EB GB 240V	100	1.085,00
561286	KS 120 EB GB 110V	100	1.085,00

Order no.	Type	Tool Points	Trade price € exc. VAT
-----------	------	-------------	------------------------

Compound mitre saw SYMMETRIC



561256	SYM 70 E GB 240V	56	665,00
--------	------------------	----	--------

Semi-stationary work



561261	CMS-GE GB 240V	35	419,00
561231	CMS-GE GB 110V	35	419,00
561525	CMS-TS 55-Set GB 240V	73	1.045,00
561526	CMS-TS 55-Set GB 110V	73	1.045,00
570249	CMS-MOD-BS 120 GB 240V	30	649,00
493955	Basis-TS 55	0	279,00
495315	MFT/3	50	559,00
495888	MFT/3 Basic USA	32	429,00
495513	MFT/3-VL GB 240V	32	379,00

Routing

Routers



574374	OF 1010 EBQ-Set GB 240V	31	395,00
574334	OF 1010 EBQ-Plus GB 240V	31	369,00
574377	OF 1010 EQ-Set GB 110V	31	395,00
574338	OF 1010 EQ-Plus GB 110V	31	369,00
574345	OF 1400 EBQ-Plus GB 240V	43	509,00
574344	OF 1400 EQ-Plus GB 110V	43	509,00
574395	OF 2200 EB-Set GB 240V	71	985,00
574396	OF 2200 EB-Set GB 110V	71	985,00
574352	OF 2200 EB-Plus GB 240V	71	715,00
574353	OF 2200 EB-Plus GB 110V	71	715,00

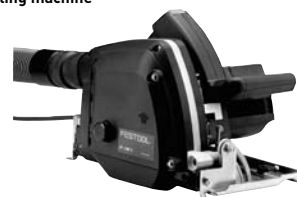
Laminate trimmer



574358	OFK 500 Q-Plus R3 GB 240V	23	279,00
574362	OFK 700 EQ-Plus GB 240V	40	469,00
574366	MFK 700 EQ-Set GB 240V	34	455,00
574365	MFK 700 EQ-Set GB 110V	34	455,00
574371	MFK 700 EQ-Plus GB 240V	34	359,00
574370	MFK 700 EQ-Plus GB 110V	34	359,00

Order no.	Type	Tool Points	Trade price € exc. VAT
-----------	------	-------------	------------------------

Aluminium composite milling machine



574390	PF 1200 E-Plus Alucobond GB	150	1.585,00
574391	PF 1200 E-Plus Dibond GB	150	1.585,00

DOMINO joining machine



574429	DF 500 Q-Set GB 240 V	56	709,00
574327	DF 500 Q-Plus GB 240V	56	655,00
574329	DF 500 Q-Plus GB 110V	56	655,00

Planing



574547	EHL 65 E-Plus GB 240V	21	245,00
574548	EHL 65 E-Plus GB 110V	21	245,00
574555	HL 850 EB-Plus GB 240V	38	449,00
574552	HL 850 E-Plus GB 110V	38	449,00

Sanding

Long-reach sander PLANEX



583477	LHS 225 EQ-Set GB 240V	153	1.715,00
571723	LHS 225 EQ-Set/IP GB 110V	153	1.715,00
583478	LHS 225 EQ-Set GB 110V	153	1.715,00
571687	LHS 225 EQ-Plus GB 240V	77	905,00
571720	LHS 225 EQ-Plus/IP GB 110V	77	905,00
571578	LHS 225 EQ-Plus GB 110V	77	905,00
571832	LHS225-IP/CTM36-Set GB 110V	73	1.655,00

Gear-drive eccentric sander ROTEX



571821	RO 90 DX FEQ-Plus GB 240V	33	399,00
571822	RO 90 DX FEQ-Plus GB 110V	33	399,00
571784	RO 125 FEQ Plus GB 240V	33	399,00
571783	RO 125 FEQ Plus GB 110V	33	399,00

Order no.	Type	Tool Points	Trade price € exc. VAT
571808	RO 150 FEQ-Plus GB 240V	41	489,00
571809	RO 150 FEQ-Plus GB 110V	41	489,00


Eccentric sanders

			
571818	ETS 125 EQ-Plus GB 240V	22	265,00
571619	ETS 125 EQ GB 240V	22	235,00
571671	ETS 125 Q GB 240V	19	199,00
571792	ETS 150/3 EQ-Plus GB 240V	25	305,00
571790	ETS 150/3 EQ-Plus GB 110V	25	305,00
571735	ETS 150/3 E GB 240V	25	275,00
571799	ETS 150/5 EQ-Plus GB 240V	25	305,00
571800	ETS 150/5 EQ Plus GB 110V	25	305,00
571771	ETS 150/5 E-C GB 240V	25	275,00
571746	ETS 150/5 E GB 240V	25	275,00

RUTSCHER for coarse sanding and DELTEX

			
567858	DX 93 E-Plus GB 240V	20	249,00

Orbital sander for fine sanding

			
567881	RS 200 EQ-Plus GB 240V	34	405,00
567866	RTS 400 EQ-Plus GB 240V	21	259,00
567680	RTS 400 EQ GB 240V	21	235,00
567771	RTS 400 Q-Plus GB 240V	18	225,00
567684	RTS 400 Q GB 240V	18	199,00
567872	DTS 400 EQ-Plus GB 240V	21	259,00

Linear sander DUPLEX


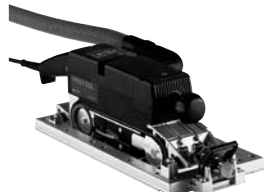
			
567853	LS 130 EQ-Plus GB 240V	30	365,00

Rotary sanders

			
570793	RAS 115.04 E-Set GB 240V	30	355,00
570747	RAS 180.03 E-AH GB 240V	50	595,00

Order no.	Type	Tool Points	Trade price € exc. VAT
-----------	------	-------------	------------------------

Belt sander

			
570254	BS 75 E-Set GB 240V	39	469,00
570253	BS 75 E-Plus GB 240V	30	365,00
570234	BS 105 E-Set GB 240V	61	719,00
570235	BS 105 E-Plus GB 240V	49	585,00

Sanding with compressed air

Compressed air eccentric sander

			
691128	LEX 2 125/3	38	445,00
691127	LEX 2 125/7	38	445,00
691135	LEX 2 150/3	38	445,00
691133	LEX 2 150/7	38	445,00
691136	LEX 2 150/11	38	445,00
692096	LEX 2 185/7	42	475,00

Compressed air orbital sanders

			
692049	LRS 93 M	37	425,00
692099	LRS 400	45	525,00

Polishing

Gear-drive eccentric sander ROTEX

			
571821	RO 90 DX FEQ-Plus GB 240V	33	399,00
571822	RO 90 DX FEQ-Plus GB 110V	33	399,00
571784	RO 125 FEQ Plus GB 240V	33	399,00
571783	RO 125 FEQ Plus GB 110V	33	399,00
571808	RO 150 FEQ-Plus GB 240V	41	489,00
571809	RO 150 FEQ-Plus GB 110V	41	489,00

Rotary polisher

			
570749	RAP 80.02 E GB 240V	27	325,00

Order no.	Type	Tool Points	Trade price € exc. VAT
570795	RAP 150 FE-Set wood	39	565,00
570786	RAP 150 FE-Set paint	39	519,00
570767	RAP 150 FE GB 240V	39	395,00
570778	RAP 150 FE GB 110V	39	395,00
570751	POLLUX 180 E GB 240V	38	445,00

Stirring, brushing, carpet removal



495747	TP 220	10	129,00
570442	RW 1000 EQ GB 240V	34	389,00
570443	RW 1000 EQ GB 110V	34	419,00
570748	RAS 180.03 E-HR GB 240V	70	835,00

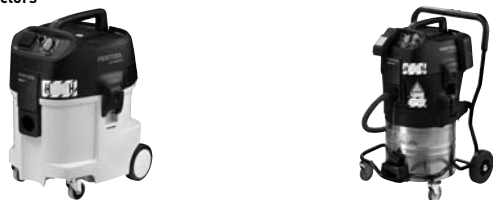
Dust extraction

Mobile dust extractors



583358	CTL MINI GB 240V	26	309,00
583364	CTL MINI GB 110V	26	309,00
583374	CTL MIDI GB 240V	27	335,00
583380	CTL MIDI GB 110V	27	335,00
583499	CTL 26 E GB 240V	39	465,00
583498	CTL 26 E GB 110V	39	465,00
584021	CTL 26 E AC GB 240V	46	549,00
584020	CTL 26 E AC GB 110V	46	549,00
583844	CTL 36 E GB 240V	49	579,00
583843	CTL 36 E GB 110V	49	579,00
583481	CTL 44 E GB 240V	61	735,00
583330	CTL 44 LE	76	899,00
584003	CTM 26 E GB 240V	53	625,00
584061	CTM 36 E AC-PLANEX GB 110V	73	859,00
583313	CTM 44 LE	93	1.099,00
583482	CTM 44 E GB 240V	79	935,00
583484	CTM 55 E GB 240V	89	1.055,00

Special extractors



583288	SRM 45 LE-EC	174	2.039,00
583480	SRM 70 LE-EC GB 240V	197	2.305,00
583287	SRH 45 E	112	1.285,00

Order no.	Type	Tool Points	Trade price € exc. VAT
-----------	------	-------------	------------------------

Workplace equipment

Vacuum pump and clamping unit



712257	VAC SYS Set SE1 GB 240V	90	929,00
580072	VAC SYS VP GB 240V	44	525,00
580062	VAC SYS SE 2	36	429,00

Boom arms and toolcenter



583866	ASA 2500 CT/SR-EU	133	1.479,00
583867	ASA 5000 CT/SR-EU	196	2.195,00
583868	ASA 6000 CT/SR-EU	205	2.295,00
583881	TC 3000/2	46	545,00

Work centre



497471	WCR 1000	25	329,00
--------	----------	----	--------

SYSTAINER, SORTAINER and Systainer-Port

Systainer-Port



491922	SYS-PORT 1000/2	43	468,80
491921	SYS-PORT 500/2	30	348,40

Order no.	Type	Tool Points	Trade price € exc. VAT
Numerical order			
Machines and accessories			
411549	LD 85	0	142,00
411810	D 36 SRD	0	17,30
411887	BG 85	0	105,60
411969	KB 80	0	130,20
434285	WR 120 R	0	58,70
434690	KF-S3	0	82,80
435187	240x2,8x30 W48	0	103,90
435450	170x2,0x30 TF56	0	137,30
436556	WR 135	0	51,70
437042	240x2,8x30 W22	0	58,20
438638	240x2,8x30 TF80	0	156,20
438698	240x2,8x30 PW18	0	71,30
439194	STF 93x14m P50 RU	0	50,30
439195	STF 93x14m P80 RU	0	44,50
439196	STF 93x14m P100 RU	0	42,70
439197	STF 93x14m P120 RU	0	42,70
439566	STF 93x14m P180 RU	0	42,70
439570	STF 93x14m P150 RU	0	42,70
439580	ST-D115/0-EL	0	10,90
439581	SM-M14/D115	0	5,70
440403	D 36 UBD	0	12,60
440404	D 36 SP	0	8,60
440406	D 36 PD	0	6,70
440408	D 36 FDG	0	45,20
440412	D 50 VR-K 2x	0	29,00
440419	D 50 SP	0	23,80
441401	GS-SW 4	0	1,70
447599	D 50 VR-M	0	93,10
450644	D 36 TKB	0	103,40
451230	VF-Multi	0	103,20
451975	MT 1600	0	333,50
452383	D 27 MW	0	17,40
452384	D 27 MW-AS	0	27,10
452385	D 36 MW-AS	0	36,00
452386	D 50 MW-AS	0	37,50
452797	VE-CT	0	366,40
452829	DLM-CT	0	148,00
452877	D 27x3,5m	0	57,80
452878	D 27x3,5m-AS	0	94,40
452879	D 27x5m	0	65,30
452880	D 27x5m-AS	0	121,20
452881	D 36x3,5m	0	74,40
452882	D 36x3,5m-AS	0	119,90
452883	D 36x5m	0	96,20
452884	D 36x5m-AS	0	159,30
452885	D 36x7m	0	110,30
452886	D 36x7m-AS	0	206,90
452887	D 50x2,5m	0	67,10
452888	D 50x2,5m-AS	0	106,50
452889	D 50x4m	0	98,80
452890	D 50x4m-AS	0	161,10
452891	D 27 DAG	0	14,70
452892	D 27 DAG-AS	0	18,40
452893	D 36 DAG	0	17,90
452894	D 36 DAG-AS	0	22,30
452895	D 50 DAG	0	21,80
452896	D 50 DAG-AS	0	26,80
452897	D 50/D 36 AA	0	11,90
452898	D 50 SV-AS/D 50 V	0	32,90
452899	D 50/V	0	12,70
452900	D 36 HR-M	0	40,00
452901	D 36 HR-K	0	17,60
452902	D 36 VR-M 3x	0	46,70
452903	D 36 VR-K 3x	0	19,80
452904	D 36 FD-300	0	6,10
452906	D 36 BD 270	0	26,40
452907	D 36 BD 300	0	29,30
452908	D 36 BD 370	0	114,30
452909	D 50 BD 370	0	49,00
452910	D 50 BD 450	0	128,50
452911	D 36 TD	0	40,00
452912	D 50 FD	0	16,80
452921	SB-CT	0	61,60
452923	HF-CT/2	0	27,20
452924	NF-CT/2	0	12,90
452925	SBH-CT 22	0	89,90
452926	SBH-CT 33	0	103,70
452970	FIS-CT/CTL/CTM 22/5	0	33,60
452971	FIS-CT/CTL/CTM 33/5	0	36,80
452972	FIS-CT/CTL/CTM 44/5	0	39,90
452973	FIS-CT/CTL/CTM 55/5	0	43,10
452974	FIS-CT 11/5	0	30,40
452986	TC 3000 RW	0	134,20
452998	SH-CT	0	28,00
454157	D 36 MW	0	21,50
454158	D 50 MW	0	23,60
454757	IAS 2-A-ASA/CT/SRM45/70	0	112,40
454770	D 50 GS-RS	0	93,10
454773	TC-FB	0	45,00
454776	TC-SG-SR	0	13,70
454808	VE-TC 3000	0	368,10
454869	Longlife-HF-CT/2	0	59,10
456737	Longlife-FIS-CT 22	0	130,60

Order no.	Type	Tool Points	Trade price € exc. VAT
456738	Longlife-FIS-CT 33	0	137,50
456739	Longlife-FIS-CT 44	0	144,40
456740	Longlife-FIS-CT 55	0	151,30
456745	D 22x3,5m-AS	0	86,50
456756	D 22 DM-AS	0	13,10
456772	FIS-CT/CTL MINI/5	0	13,40
456790	HF-CT-MINI/MIDI	0	16,70
456805	NF-CT-MINI/MIDI	0	9,40
456806	D 27 DAG/90°-AS	0	18,60
456870	FIS-CT 22 SP VLIIES/5	0	43,30
456871	FIS-CT 33 SP VLIIES/5	0	47,50
456874	FIS-CT 44 SP VLIIES/5	0	51,40
460853	SYS MINI	0	13,70
466357	FS-BAG	0	54,60
480173	KF-03 9/15	0	17,30
480174	KF-04 10/13	0	16,50
480175	KF-05 8/17	0	18,40
480176	KF-06 12/9	0	20,50
480177	KF-07 11/11	0	20,50
481523	10L 115x225	0	22,30
481713	LD-10/50	0	3,00
481722	LD 10/1000	0	18,60
481903	8L 93x175	0	18,90
482057	HW D30x21/KL	0	136,90
482107	FSV	0	13,10
482338	AD-RS 4	0	8,90
482543	AUP 1750	0	220,60
482544	AUP 3000	0	359,20
482778	STF D150/0 A100 VL/5	0	12,90
482779	STF D150/0 A280 VL/5	0	12,90
482780	STF D150/0 S800 VL/5	0	12,90
483142	FIS-SR 12/14 /5	0	47,40
483143	FIS-SR 5/6 /5	0	37,30
483249	HW D33/48	0	91,00
483310	V400/M14	0	47,90
483358	FE-OF 1000/KF	0	26,20
483372	SP-PS/5	0	4,90
483424	UEM/OF 900/KF	0	10,00
483489	SA-KF/FE	0	55,80
483580	STF 80x130/0 A100 VL/5	0	7,10
483581	STF 80x130/0 A280 VL/5	0	7,10
483582	STF 80x130/0 S800 VL/5	0	7,10
483583	STF 93x175/0 A100 VL/5	0	9,60
483584	STF 93x175/0 A280 VL/5	0	9,60
483585	STF 93x175/0 S800 VL/5	0	9,60
483586	STF 115x225/0 A100 VL/5	0	13,50
483587	STF 115x225/0 A280 VL/5	0	13,50
483588	STF 115x225/0 S800 VL/5	0	13,50
483674	TF-RS 1/5	0	7,60
483679	SSH-STF-115x225/10	0	29,10
483701	WR 125	0	51,70
483889	FIS-SR 15 /5	0	79,00
483905	SSH-STF-93x175/8	0	24,70
483906	SSH-STF-80x130/8	0	21,10
483922	SZ-OF 1000	0	17,40
483944	AD-D10/M14	0	15,70
484131	LF-STF-D150/1	0	11,00
484151	STF D115/0 P24 SA/25	0	36,60
484152	STF D115/0 P36 SA/25	0	36,60
484158	STF D115/0 P50 RU/50	0	33,70
484159	STF D115/0 P80 RU/50	0	30,20
484160	STF D115/0 P100 RU/50	0	28,90
484161	STF D115/0 P120 RU/50	0	28,90
484162	STFD115/0 P150 RU/50	0	28,90
484165	STF D115/0 A100 VL/10	0	23,50
484166	STF D115/0 A180 VL/10	0	23,50
484172	ST-STF-D115/0-M14 H	0	19,50
484173	ST-STF-D115/0-M14 W	0	18,80
484176	KR-D 13,8/OF 900	0	8,50
484250	MIC 1600 RW	0	474,40
484285	WR 120 L	0	58,70
484286	WR 140 L	0	68,10
484287	WR 160 L	0	83,00
484288	WR 140 R	0	68,10
484289	WR 160 R	0	83,00
484290	5/8"x16UNF/M14	0	17,90
484291	M14/ 1/2"x20UNF	0	16,90
484292	1/2"x20UNF/M14	0	18,30
484390	STF 93x178/8 P50 RU/50	0	34,30
484391	STF 93x178/8 P80 RU/50	0	29,90
484392	STF 93x178/8 P100 RU/50	0	27,20
484393	STF 93x178/8 P120 RU/50	0	27,20
484394	STF 93x178/8 P150 RU/50	0	27,20
484395	STF 93x178/8 P180 RU/50	0	27,20
484404	STF 115x228/10 P50 RU/50	0	45,90
484405	STF 115x228/10 P80 RU/50	0	39,90
484406	STF 115x228/10 P100 RU/50	0	36,30
484407	STF 115x228/10 P120 RU/50	0	36,30
484408	STF 115x228/10 P150 RU/50	0	36,30
484409	STF 115x228/10 P180 RU/50	0	36,30
484413	STF D115/0 P180 RU/50	0	28,90
484453	AH-OF 1000	0	16,90
484507	AD-HL	0	12,20
484509	SB-HL	0	46,90
484512	FA-HL	0	8,30
484513	PA-HL	0	15,80

Order no.	Type	Tool		Order no.	Type	Tool	
		Points	Trade price € exc. VAT			Points	Trade price € exc. VAT
484515	HW 82 SD	0	21,40	486556	HS 60/1,2 BI/5	0	12,50
484518	HS 82 RF	0	26,00	486557	HS 60/2 BI/5	0	12,50
484519	HS 82 RG	0	26,00	486558	HS 105/1,2 BI/5	0	17,70
484520	HK 82 SD	0	112,60	486559	HS 105/2 BI/5	0	17,70
484521	HK 82 RF	0	131,40	486560	HM 105/4,5	0	19,20
484522	HK 82 RG	0	131,40	486561	HM 75/4,5	0	16,00
484523	D 53/D 43	0	18,80	486562	R 54 G Riff	0	6,90
484727	AHP-RAS D115/2	0	16,40	486563	S 75/4 K/5	0	8,30
484728	AHM-RAS D115	0	16,50	486564	S 50/1,4 K/5	0	7,00
484733	D 50 FL	0	174,70	486919	SSH-STF-115x225/10-LRB	0	29,10
485017	SE-HL	0	76,10	486962	S 75/4/25	0	30,30
485018	WA-HL	0	71,10	486963	S 75/2,5/25	0	43,30
485036	SH-D80x120/0-P50 RU/8	0	22,00	486965	S 75/4 K/25	0	37,00
485037	SH-D80x120/0-P80 RU/8	0	22,00	487010	FS-OF 2000	0	42,40
485038	SH-D80x120/0-P100 RU/8	0	22,00	487016	KR-D 30/OF 2000	0	10,10
485039	SH-D80x120/0-P120 RU/8	0	22,00	487017	KR-D 40/OF 2000	0	10,10
485040	SH-D80x120/0-P150 RU/8	0	22,00	487018	KR-D 27/OF 2000	0	10,10
485041	SH-D145x120/0-P50 RU/8	0	22,00	487019	KR-D 24/OF 2000	0	10,10
485042	SH-D145x120/0-P80 RU/8	0	22,00	487070	FIS-SR 200 /5	0	40,70
485043	SH-D145x120/0-P100 RU/8	0	22,00	487071	D 27 DM-AS	0	13,00
485044	SH-D145x120/0-P120 RU/8	0	22,00	487072	SHR-CT/SR	0	30,30
485045	SH-D145x120/0-P150 RU/8	0	22,00	487160	D 12/M12 OF2000	0	9,80
485046	ZW 145x120/30	0	122,20	487161	UEM/OF 2000	0	10,80
485048	ZW 145x120/50	0	122,20	487247	D 12/M10	0	9,80
485049	ZWK 80x120/30	0	99,90	487271	240x2,6x30 F48	0	111,60
485051	ZWK 80x120/50	0	99,90	487304	TC-SH	0	47,90
485096	RB-D115/M14 RAS 115	0	21,70	487427	SYS-VARI SE	0	16,70
485097	TB-D80/M14 RAS 115	0	14,50	487428	SYS-VARI RM	0	13,10
485099	TB-D65/M14 RAS 115	0	16,80	487441	KRH-OF 2000 Set	0	58,10
485206	D6,35/KL	0	16,60	487482	FIS-SR 202 /5	0	69,90
485239	STF D180/0 P24 SA/25	0	77,60	487515	STF V93/6 P24 SA/25	0	15,00
485240	STF D180/0 P36 SA/25	0	77,60	487518	STF V93/6 P80 SA/25	0	13,30
485241	STF D180/0 P50 SA/25	0	65,90	487519	STF V93/6 P100 SA/50	0	23,50
485242	STF D180/0 P80 SA/25	0	65,90	487605	STF V93/0 A100 VL/10	0	17,70
485243	STF D180/0 A100 VL/10	0	50,90	487606	STF V93/0 A280 VL/10	0	17,70
485244	STF D180/0 A180 VL/10	0	50,90	487657	BOX 54x54/12 SYS 1	0	10,20
485245	STF D115/0 P50 SA/25	0	31,30	487658	BOX 108x54/6 SYS 1	0	7,80
485246	STF D115/0 P80 SA/25	0	31,30	487659	BOX 108x108/3 SYS 1	0	6,10
485248	LF-STF-D180/1	0	14,70	487660	BOX 162x108/2 SYS 1	0	5,50
485253	ST-STF-D180/0-M14 W	0	38,50	487704	TF II-RS 4/5	0	6,50
485274	AHP-RAS D180	0	34,50	487705	TFS II-RS 4	0	21,40
485296	ST-D180/0-M14/2F	0	38,50	487721	D 36 DM-AS	0	16,70
485298	ST-D115/0-M14/2F	0	18,70	487779	TF II-RS/ES/ET/5	0	6,60
485318	D 8 MFP	0	6,80	487780	TFS II-ET/RS	0	20,80
485326	KL-D12,7 MFP	0	18,60	487790	FIS-SR 300 /5	0	52,80
485331	HK 82 RW	0	131,40	487865	ZG-RAS/RO	0	6,40
485332	HS 82 RW	0	26,00	487871	TF II-RS/ES/ET/25	0	27,50
485620	SW 5,5 KL-MFP	0	4,10	487874	FIS-SR 200 /20	0	143,20
485647	SSH-115x225/10-KS	0	28,60	487875	FIS-SR 5/6 /20	0	126,20
485648	SSH-STF-115x225/10-KS	0	32,90	487879	AD-IA5/IAS 2	0	26,40
485671	D21/KL	0	16,60	487901	IAS 2-3500 AS	0	198,90
485724	FS-HU 10M	0	15,00	488015	S 105/4 FSG/20	0	73,60
485758	SA-LR 32	0	51,60	488016	HS 60/1,2 BI/25	0	56,50
485759	AR-LR32	0	26,30	488030	MFT-SP	0	76,60
485808	AB-FI/U	0	35,10	488031	CW D105x120	0	104,60
485809	AB-FI/U	0	39,00	488032	CW D55x120	0	90,50
485824	WR 140 R-N	0	195,70	488036	SSH-STF-V93L/6	0	11,40
485825	WR 160 R-N	0	201,00	488059	CS 70 ST	0	698,20
485914	STF D115/0 P24 RU/50	0	36,90	488060	CS 70 VB	0	299,10
485915	STF D115/0 P36 RU/50	0	36,90	488061	CS 70 VL	0	212,80
485970	PF-STF-D150x10-H/1	0	7,30	488062	CS 70 LA	0	209,90
485972	PF-STF-D150x10-W/1	0	7,30	488063	CS 70 KA	0	258,40
486029	KR-D 10,8/OF 900	0	8,50	488064	CS 70 TR	0	75,50
486030	KR-D17/OF 900	0	8,50	488065	SAB	0	12,40
486031	KR-D 24/OF 900	0	8,50	488081	820x120-P50-SA/10	0	65,10
486032	KR-D 27/OF 900	0	8,50	488082	820x120-P80-SA/10	0	65,10
486033	KR-D 30/OF 900	0	8,50	488083	820x120-P100-SA/10	0	57,80
486034	KR-D 40/OF 900	0	8,50	488084	820x120-P120-SA/10	0	57,80
486052	WA-OF	0	29,20	488085	820x120-P150-SA/10	0	57,80
486058	UP-OF	0	50,00	488086	820x120-P180-SA/10	0	57,80
486145	MI-FI/K1	0	174,90	488090	VE-SR 300	0	368,00
486241	AB-FI/C	0	48,10	488107	STF D125/0 A100 VL/5	0	12,20
486242	SF-OF	0	23,00	488108	STF D125/0 A280 VL/5	0	12,20
486296	190x2,8x30 W16	0	45,40	488131	IAS 2-7000 AS	0	297,70
486297	190x2,8x30 W48	0	77,80	488132	IAS 2-3500	0	146,40
486298	190x2,8x30 PW14	0	58,50	488133	IAS 2-7000	0	217,20
486299	190x2,8x30 TF68	0	124,10	488175	IAS 2-5000	0	176,60
486371	SSH-STF-L93x230/0	0	27,40	488176	IAS 2-5000 AS	0	243,70
486374	TM 195	0	32,20	488180	IAS 2-A-ASA/SR	0	122,10
486375	SG-TPE/RS 1	0	117,60	488226	SSH-STF-115x221/10 RS 1 C	0	29,10
486418	SSH-STF-V93x266/14	0	35,40	488288	225x2,6x30 W32	0	65,10
486449	STF V93/6 P50 RU/50	0	20,30	488289	225x2,6x30 W48	0	91,30
486450	STF V93/6 P80 RU/50	0	17,50	488291	225x2,6x30 TF68	0	143,80
486451	STF V93/6 P100 RU/50	0	15,80	488292	CS 70 AB	0	75,50
486452	STF V93/6 P120 RU/50	0	15,80	488311	AD 1/4-IA5 2	0	86,40
486453	STF V93/6 P150 RU/50	0	15,80	488337	PT-STF-D80-M14	0	24,10
486454	STF V93/6 P180 RU/50	0	15,80	488339	PF-STF-D80x10-H/5	0	17,40
486534	KT-OF	0	61,10	488341	PF-STF-D80x10-W/5	0	17,40
486546	S 75/4/5	0	6,80	488342	PT-STF-D150-M14	0	27,70
486547	S 105/4/5	0	11,30	488347	PF-STF-D150x10-W/5	0	29,00
486548	S 75/2,5/5	0	9,70	488348	PF-STF-D150x10-H/5	0	29,00
486549	S 75/4 FS/5	0	13,20	488349	PT-STF-D180-M14	0	31,10
486551	S 75/4 FSG/5	0	16,20	488354	PF-STF-D180x15-W/5	0	51,80
486552	S 105/4 FSG/5	0	21,60	488355	PF-STF-D180x15-H/5	0	51,80
486553	HS 75/4 BI/5	0	17,60	488417	IAS 2-FA	0	14,70
486554	HS 75/3 BI/5	0	17,60	488418	AD-IA5 2/D36	0	42,10

Order no.	Type	Tool Points	Trade price € exc. VAT
488437	BPH 9,6 C 2,0 Ah	0	74,40
488438	BPH 12 C 2,0 Ah	0	86,00
488439	FIS-SR 302 /5	0	98,60
488451	WA	0	120,90
488460	FIS-SR 150 /5	0	37,30
488461	AB-FI	0	45,70
488503	HW 65	0	13,30
488508	VE 1-ASA	0	380,30
488524	SE-EHL	0	54,40
488525	VE-SR 200	0	378,10
488543	FA-EHL	0	6,10
488544	PA - EHL	0	12,20
488560	KA-AR	0	26,60
488566	SB-EHL	0	30,80
488662	SP-PS/20	0	9,70
488711	RB	0	132,30
488715	SSH-STF-V93/6-W/2	0	12,70
488716	SSH-STF-V93/6-H/2	0	12,70
488717	TP-STF-DX93	0	10,20
488752	FS-OF 1000	0	28,80
488754	FE-FS/OF 1000	0	19,50
488755	SZ-D 8/OF 1000	0	36,10
488756	TV-OF 1000	0	29,70
488760	SZ-D 6/OF 1000	0	36,10
488761	SZ-D 6,35/OF 1000	0	36,10
488876	VS 600 GE	0	336,10
488877	VS 600 SZ 14	0	64,50
488878	VS 600 SZ 20	0	64,50
488879	VS 600 FZ 6	0	57,80
488880	VS 600 FZ 10	0	57,80
488881	VS 600 DS 32	0	64,50
488899	TP-STF-V93-W	0	14,60
488924	AB-FI/C	0	50,80
489002	BPH 9,6 T 2,0 Ah	0	74,40
489003	BPH 12 T 2,0 Ah	0	84,40
489022	FS-AW	0	15,70
489039	STF Delta/100x150/7 P50 RU/50	0	31,60
489040	STF Delta/100x150/7 P80 RU/50	0	27,50
489041	STF Delta/100x150/7 P100 RU/50	0	25,00
489042	STF Delta/100x150/7 P120 RU/50	0	25,00
489043	STF Delta/100x150/7 P150 RU/50	0	25,00
489044	STF Delta/100x150/7 P180 RU/50	0	25,00
489045	STF Delta/100x150/0 A100 VL/10	0	25,10
489046	STF Delta/100x150/0 A280 VL/10	0	25,10
489047	STF Delta/100x150/0 S800 VL/10	0	25,10
489075	STF D180/0 P50 RU/50	0	71,80
489076	STF D180/0 P80 RU/50	0	62,60
489077	STF D180/0 P100 RU/50	0	60,10
489078	STF D180/0 P120 RU/50	0	60,10
489079	STF D180/0 P150 RU/50	0	60,10
489080	STF D180/0 P180 RU/50	0	60,10
489127	TF-RS 400/25	0	31,20
489128	TF-RS 400/5	0	7,40
489129	TFS-RS 400	0	18,90
489158	STF V93/6 P36 RU/50	0	21,20
489221	MI-FI/H	0	164,40
489222	IAS 2-ZA	0	49,10
489229	TP-OF	0	11,70
489251	BPH 14,4 T 2,0 Ah	0	104,60
489252	SSH-STF-80x130/14	0	20,70
489263	IAS 2-AK-B1	0	14,60
489266	D 27x3,5m-AS/B1	0	147,30
489284	FK D 50x30	0	95,50
489285	ASL20/OF1010	0	30,60
489286	WP 30x12x1,5	0	19,10
489427	SA-OF 1000	0	33,60
489458	190x2,6x30 TF54	0	124,10
489459	225x2,6x30 TF64	0	143,80
489470	STF 93x178/8 P50 RU/10	0	8,60
489471	STF 93x178/8 P80 RU/10	0	7,50
489472	STF 93x178/8 P100 RU/10	0	6,80
489473	STF 93x178/8 P120 RU/10	0	6,80
489474	STF 115x228/10 P50 RU/10	0	11,50
489475	STF 115x228/10 P80 RU/10	0	10,00
489476	STF 115x228/10 P100 RU/10	0	9,10
489477	STF 115x228/10 P120 RU/10	0	9,10
489478	STF Delta/100x150/7 P50 RU/10	0	8,00
489479	STF Delta/100x150/7 P80 RU/10	0	6,90
489480	STF Delta/100x150/7 P100 RU/10	0	6,30
489481	STF Delta/100x150/7 P120 RU/10	0	6,30
489565	AH-SA-OF 2000	0	16,20
489570	FSZ 120	0	30,20
489571	FSZ 300	0	37,40
489629	SSH-115x225/10	0	25,50
489630	SSH-93x175/8	0	21,40
489631	TFS-ES 150	0	20,80
489662	H05 BQ-F/4	0	23,50
489663	H05 BQ-F/7,5	0	30,90
489685	RK plug it	0	12,30
489693	ZWK 80x120/35	0	88,90
489694	ZW 145x120/35	0	108,60
489728	BP 12 C 3,0 Ah	0	116,10
489731	BP 12 T 3,0 Ah	0	116,10
489740	ECU 45 GB 240 V	0	99,00
489790	FS-RAPID/1	0	36,10
490031	FS-PS/PSB 300	0	11,70

Order no.	Type	Tool Points	Trade price € exc. VAT
490085	HW D22/8-OFK	0	49,80
490090	HW 45°-OFK	0	49,80
490091	HW 30°-OFK	0	49,80
490092	HW R2-OFK	0	55,50
490093	HW R3-OFK	0	55,50
490094	HW R4-OFK	0	60,20
490095	HW R5-OFK	0	65,00
490096	HW R6-OFK	0	65,00
490118	KS-PS/PSB 300	0	21,40
490119	PA-PS/PSB 300	0	21,40
490120	SP-PS/PSB 300/5	0	4,90
490121	SP-PS/PSB 300/20	0	9,70
490127	HW S12 D67 x D12	0	137,50
490129	HW S12 D46 x D12-NT	0	160,60
490131	ASL20/OF1400-OF2200	0	36,10
490132	HW S12 D46 x D12-FD	0	160,60
490160	IP-STF-80x133/14-STF LS130/2	0	10,40
490161	SSH-STF-LS130-F	0	24,10
490162	SSH-STF-LS130-90 GR	0	26,10
490163	SSH-STF-LS130-R6KV	0	26,10
490164	SSH-STF-LS130-R18KV	0	26,10
490165	SSH-STF-LS130-R25KV	0	26,10
490166	SSH-STF-LS130-V10	0	26,10
490167	SSH-STF-LS130-R25KX	0	26,10
490178	HS 75/2,5 BI/5	0	17,60
490179	S 145/4 FSG/5	0	25,30
490180	HS 155/1,2 BI/5	0	23,20
490181	HS 60/1,4 BI VA/5	0	12,80
490249	KLS-D 15,8-OFK	0	17,30
490250	KLS-D22-OFK	0	19,50
490256	S 75/4 FS/20	0	47,20
490293	DD-AS	0	85,20
490294	DD-ES	0	85,20
490312	CS 70 ST 650	0	368,80
490340	CS 70 SP /10	0	14,20
490387	STF 80x133/14 P50 RU/50	0	24,60
490388	STF 80x133/14 P80 RU/50	0	21,30
490389	STF 80x133/14 P100 RU/50	0	19,50
490390	STF 80x133/14 P120 RU/50	0	19,50
490391	STF 80x133/14 P150 RU/50	0	19,50
490392	STF 80x133/14 P180 RU/50	0	19,50
490393	STF 80x133/14 P50 RU/10	0	5,90
490394	STF 80x133/14 P80 RU/10	0	5,10
490395	STF 80x133/14 P100 RU/10	0	4,70
490396	STF 80x133/14 P120 RU/10	0	4,70
490421	HM D40x2,8 mm	0	29,30
490471	HiQ PZ 1-25 /3	0	7,30
490472	HiQ PZ 2-25 /3	0	7,30
490473	HiQ PZ 3-25 /3	0	7,30
490481	PZ 1-25 /10	0	7,30
490482	PZ 2-25 /10	0	7,30
490483	PZ 3-25 /10	0	7,30
490491	HiQ PH 1-25 /3	0	7,30
490492	HiQ PH 2-25 /3	0	7,30
490493	HiQ PH 3-25 /3	0	7,30
490494	HiQ TX 10-25 /3	0	10,20
490495	HiQ TX 15-25 /3	0	9,80
490496	HiQ TX 20-25 /3	0	10,20
490497	HiQ TX 25-25 /3	0	10,20
490498	HiQ TX 30-25 /3	0	10,20
490499	HiQ TX 40-25 /3	0	10,20
490501	PH 1-25 /10	0	7,30
490502	PH 2-25 /10	0	7,30
490503	PH 3-25 /10	0	7,30
490504	TX 10-25 /10	0	10,20
490505	TX 15-25 /10	0	10,20
490506	TX 20-25 /10	0	10,20
490507	TX 25-25 /10	0	10,20
490508	TX 30-25 /10	0	10,20
490514	ST-STF-D185/16-M8 W	0	49,00
490517	190x2,8x30 W32	0	65,10
490518	240x2,8x30 W32	0	78,20
490526	ST-STF-D185/16-M8 SW	0	49,00
490565	HW/KLS D22/8-OFK	0	62,30
490603	IAS 2-S-ZA/Hamach	0	102,00
490605	IAS 2-S-ZA/Herkules	0	102,00
490643	HW S8 D46 x D12-FD	0	160,60
490645	HW S8 D46 x D12-NT	0	160,60
490650	H 05 RN-F 2x1 4 m	0	20,40
490655	H 05 RN-F 2x1 7,5 m GB 240 V	0	28,60
490701	SYS MAXI	0	76,40
490751	SYS-B5 75	0	83,60
490752	SYS-B5 105	0	83,60
490770	KR D17/VS 600-SZ 14	0	9,40
490771	KR D24/VS 600-SZ 20	0	9,40
490772	KR D8,5/VS 600-FZ 6	0	9,40
490780	SSH-STF-LS130 Kit	0	37,60
490794	BS75/533x75-P40 RU/10	0	20,60
490795	BS75/533x75-P60 RU/10	0	20,20
490796	BS75/533x75-P80 RU/10	0	19,70
490797	BS75/533x75-P100 RU/10	0	19,50
490798	BS75/533x75-P120 RU/10	0	19,50
490799	BS75/533x75-P150 RU/10	0	19,50
490800	BS75/533x75-P220 RU/10	0	19,50
490811	BS105/620x105-P40 RU/10	0	27,60
490812	BS105/620x105-P60 RU/10	0	26,90

Order no.	Type	Tool		Order no.	Type	Tool	
		Points	Trade price € exc. VAT			Points	Trade price € exc. VAT
490813	BS105/620x105-P80 RU/10	0	26,00	491024	HW S8 D24/30°	0	41,50
490814	BS105/620x105-P100 RU/10	0	25,20	491025	HW S8 D36/45°	0	46,20
490815	BS105/620x105-P120 RU/10	0	25,20	491026	HW S8 D24/0° +45°	0	36,10
490816	BS105/620x105-P150 RU/10	0	25,20	491027	HW S8 D12,7/NL25	0	46,20
490817	BS105/620x105-P220 RU/10	0	25,20	491028	HW S8 D19/NL25	0	48,50
490818	AA-BS 75/105	0	12,90	491029	HW S8 D31,7/R4/R4	0	55,00
490819	AS-BS 75/105	0	25,40	491030	HW S8 D38,1/R6,35/R6,35	0	62,70
490820	SE-BS 75/105	0	20,40	491031	HW S8 D36,7/R6/R6	0	67,50
490821	LA-BS 75/105	0	27,80	491032	HW S8 D19/R5/R4	0	49,70
490823	SU/GG-BS 75	0	11,50	491033	HW S8 R16/NL32	0	73,40
490824	SU/KM-BS 75	0	7,90	491034	HW S8 D34/NL32	0	78,10
490825	SU/GG-BS 105	0	12,90	491035	HW S8 D10,5/NL13	0	30,80
490826	SU/KM-BS 105	0	9,20	491036	HS S8 D5/NL23	0	14,20
490827	FSR-BS 75	0	139,90	491037	HW S8 D8/19	0	24,90
490828	FSR-BS 105	0	176,00	491038	HW D40x1,5	0	17,80
490941	HS S8 D 3/8	0	13,70	491039	HW D40x1,8	0	18,30
490942	HS S8 D 4/15	0	13,70	491040	HW D40x2	0	18,70
490943	HS S8 D 5/12	0	13,70	491050	216x2,3x30 W48	0	94,60
490944	HS Spi S8 D6/16	0	22,50	491051	216x2,3x30 W60	0	155,60
490945	HS Spi S8 D8/19	0	17,40	491053	SM-SYM 70	0	23,70
490946	HS Spi S8 D10/30	0	26,10	491054	TE-SYM 70	0	11,20
490947	HS Spi S8 D12/20	0	21,30	491056	HW D40x2,5	0	19,20
490948	HS Spi S8 D14/20	0	23,70	491057	HW D40x3	0	19,90
490949	HS Spi S8 D16/20	0	26,10	491058	HW D40x3,5	0	20,20
490950	HS Spi S8 D18/25	0	30,20	491059	HW D40x4	0	20,60
490951	HS Spi S8 D20/25	0	32,60	491060	HW D40x5	0	21,20
490952	HW S8 D3/6	0	28,10	491061	S 8x30 M6/KL	0	20,20
490953	HW S8 D4/10	0	28,10	491062	S 8x30 M6	0	11,90
490954	HW S8 D5/12	0	28,70	491063	HW S8 40x2,8	0	63,90
490955	HW S8 D6/14	0	29,40	491064	HW S8 D5/30	0	26,70
490956	HW S8 D7/17	0	30,80	491065	HW D3/16	0	32,60
490957	HW S8 D8/20	0	31,70	491066	HW S8 D5/30 Z	0	21,90
490958	HW S8 D9/23	0	26,50	491067	HW S8 D6/30 Z	0	22,50
490959	HW S8 D10/20	0	26,80	491068	HW S8 D8/30 Z	0	23,70
490960	HW S8 D10/25	0	29,00	491069	HW S8 D10/30 Z	0	26,10
490961	HW S8 D11/20	0	29,60	491070	HW S8 D15	0	41,50
490962	HW S8 D12/20	0	30,20	491071	HW S8 D18	0	45,60
490963	HW S8 D13/20	0	31,70	491072	HW S8 D20	0	48,50
490964	HW S8 D14/20	0	32,20	491073	HW S8 D25	0	55,40
490965	HW S8 D15/20	0	34,40	491074	HW S8 D26	0	58,70
490966	HW S8 D16/20	0	37,90	491075	HW S8 D30	0	60,30
490967	HW S8 D16/30	0	38,70	491076	HW S8 D34	0	61,30
490968	HW S8 D18/20	0	40,30	491077	HW S8 D35	0	62,10
490969	HW S8 D18/30	0	40,70	491078	HW S8 D8/20 WP Z1	0	90,20
490970	HW S8 D19/20	0	41,20	491079	HW S8 D10/25 WP Z1	0	91,40
490971	HW S8 D20/20	0	41,50	491080	HW S8 D12/30 WP Z1	0	93,80
490972	HW S8 D20/30	0	42,60	491082	HW S8 D19/20WM Z2	0	96,20
490973	HW S8 D22/20	0	44,30	491084	HW S8 D30,5/12/45°	0	101,00
490974	HW S8 D24/20	0	47,10	491085	HW S8 D35/12	0	90,20
490975	HW S8 D25/20	0	52,10	491086	HW S12 D10/35	0	51,50
490976	HW S8 D30/20	0	58,00	491087	HW S12 D12/40	0	53,90
490977	HW Spi S8 D4/10	0	44,40	491088	HW S12 D14/40	0	63,60
490978	HW Spi S8 D6/16	0	46,80	491089	HW S12 D14/50	0	81,70
490979	HW Spi S8 D8/25	0	49,70	491090	HW S12 D16/45	0	66,00
490980	HW Spi S8 D10/30	0	58,00	491091	HW S12 D16/60	0	84,10
490981	HW S8 R5	0	61,50	491092	HW S12 D18/45	0	70,80
490982	HW S8 R6,4 KL	0	73,40	491093	HW S12 D20/45	0	74,40
490983	HW S8 R4	0	27,30	491094	HW S12 D22/45	0	79,90
490984	HW S8 R6,35	0	30,80	491095	HW S12 D24/45	0	84,10
490985	HW S8 R8	0	34,40	491096	HW S12 D30/35	0	112,50
490986	HW S8 R9,7	0	37,30	491097	HW S12 D16/12/15°	0	41,80
490987	HW S8 R12,7	0	42,00	491098	HS S12 D20/15/15°	0	44,80
490988	HS S8 D14,3/13,5/15°	0	23,60	491099	HS S12 D24/15/15°	0	56,90
490990	HW S8 D14,3/13,5/15°	0	40,10	491100	HS S12 D30/18/15°	0	66,60
490991	HS S8 D14,3/13,5/15°	0	19,60	491101	HW S12 D44/30/30°	0	72,00
490992	HW S8 D14,3/13,5/15°	0	34,40	491102	HW S12 D55/20/45°	0	79,90
490993	HW S8 D16/13,5/15°	0	41,50	491103	HW S12 D24,5/18/R12,7	0	69,60
490995	HS S8 D20/17/15°	0	29,60	491104	HW S12 D30/20/R15	0	75,60
490996	HW S8 D20/17/15°	0	39,10	491105	HW S12 D40/25/R20	0	90,20
490997	HS S8 D11/9,5/60°	0	13,10	491106	HW S12 D43/22/R15	0	87,10
490998	HS S8 D14/7/90°	0	14,20	491107	HW S12 D63/32/R25	0	118,00
490999	HW S8 D14/7/90°	0	30,80	491109	HW D63/15/R9	0	114,40
491000	HW S8 D12,5/45°	0	41,50	491110	HW S12 D14/45 WM	0	180,20
491001	HW S8 D32/90°	0	54,50	491115	HW S12 D26 R5/8	0	77,50
491002	HS S8 D11/60°	0	33,20	491117	HW S12 D23	0	53,90
491003	HW S8 D11/60°	0	41,50	491120	HW S12 D21/30WM	0	124,70
491004	HW S8 D17/R3	0	44,40	491129	HW S8 D43/21 A/KL	0	100,60
491005	HW S8 D19/R4	0	45,00	491130	HW S8 D43/21 A/KL	0	100,60
491006	HW S8 D21/R5	0	47,40	491131	HW S8 D42/R6	0	70,40
491007	HW S8 D23/R6	0	49,70	491132	HW S8 D25,7/25,7/15°	0	49,70
491008	HW S8 D27/R8	0	51,50	491133	HW S8 D38,5/23/30°	0	58,00
491009	HW S8 D16,7/R2 KL	0	47,90	491134	HW S8 D24/R6/15°	0	69,80
491010	HW S8 D18,7/R3 KL	0	48,50	491135	HW S8 D24/R6/30°	0	73,40
491011	HW S8 D20,7/R4 KL	0	49,10	491136	HW S8 D24/R6/45°	0	76,90
491012	HW S8 D22,7/R5 KL	0	49,70	491137	HW S8 D42/13/R6+12	0	68,70
491013	HW S8 D25,5/R6,35 KL	0	50,90	491138	HW D42,7/13/R6	0	66,30
491014	HW S8 D28,7/R8 KL	0	52,70	491139	HW S8 D30/28	0	69,80
491015	HW S8 D31,7/R9,5 KL	0	55,00	491140	HW S8 D22/16/R2,5+6	0	69,20
491016	HW S8 D38,1/R12,7 KL	0	60,40	491144	UBS-PUR 360 plug it 240 V	0	15,80
491017	HW S8 D42,7/R15 KL	0	63,90	491145	UBS-PUR 420 plug it 240 V	0	15,80
491018	HW S8 D25,5/R6,35 KL	0	42,60	491152	VS 600 SZO 14	0	111,40
491019	HW S8 D28,7/R8 KL	0	46,20	491153	VS 600 SZO 20	0	111,40
491020	HW S8 D31,7/R9,5 KL	0	48,50	491164	HW S8 D14,3/16/10°	0	35,80
491021	HW S8 D38,1/R12,7 KL	0	55,60	491165	HW S8 D20/26/10°	0	41,80
491022	HW S8 D31,7/NL 12,7	0	44,40	491197	SSH-STF-LS130-R10KV	0	26,10
491023	HW S8 D20/10°	0	36,70	491198	SSH-STF-LS130-R10KX	0	26,10

Order no.	Type	Tool Points	Trade price € exc. VAT
491199	SSH-LS130-B100	0	19,20
491350	BF-FX 10 FastFix	0	44,30
491366	SSH-80x130/8	0	18,60
491382	D9,53x3,17x4,76 [2x]	0	19,00
491383	D12,7x4,97x4,76 [2x]	0	20,20
491384	D15,88x5x6,35 [2x]	0	22,50
491385	D19x6x6 [2x]	0	23,70
491386	HW-WP 20x4,1x1,1 [4x]	0	42,60
491387	HW-WP 25x5,5x1,1 [4x]	0	45,00
491388	HW-WP 30x5,5x1,1 [4x]	0	47,40
491389	HM-WP 50x5,4x1,1 [4x]	0	81,60
491390	HW-WP 7,6x12x1,5 [4x]	0	39,10
491391	HW-WP 12x12x1,5 [4x]	0	35,50
491392	HW-WP 20x12x1,5 [4x]	0	35,50
491393	HW-WP 30x12x1,5 [4x]	0	58,00
491396	D 19,05 x 12,7 x 4,97 [2x]	0	24,90
491397	D28x8x10 [2x]	0	26,10
491398	D12,7	0	20,20
491399	D16 [2x]	0	32,00
491400	D18 [2x]	0	33,20
491401	D19 [2x]	0	34,40
491402	D22 [2x]	0	35,50
491403	D17,5/15° [2x]	0	36,70
491404	D23,1/30° [2x]	0	37,90
491405	D31,4/45° [2x]	0	40,30
491406	D9,5/12,7/16/19/22	0	56,80
491407	D18-12,7 [2x]	0	37,00
491408	D21-15,88 [2x]	0	41,50
491409	D22-15,88 [2x]	0	39,30
491410	D28-15,88 [2x]	0	39,30
491427	FT 0°	0	81,20
491443	HW S8 D18-135° (Alu)	0	58,00
491444	HW S8 D18-90° (Alu)	0	58,00
491469	PA-TS 55	0	37,20
491470	HW 118x14-90°/Alu	0	343,50
491471	HW 118x18-135°/Alu	0	388,50
491473	SP-TS 55/5	0	10,90
491483	STF D185/16 P36 SA/25	0	71,00
491484	STF D185/16 P24 SA/25	0	71,00
491498	FS 1400/2	0	73,80
491499	FS 800/2	0	49,20
491500	FS 5000/2	0	375,10
491501	FS 3000/2	0	227,70
491502	FS 2400/2	0	182,10
491503	FS 1900/2	0	126,80
491504	FS 1080/2	0	62,50
491522	SYS 3-SORT/4	0	104,60
491533	HW 60°-OFK	0	49,80
491538	A3	0	28,40
491539	A4	0	28,40
491540	A6	0	28,40
491542	D2	0	28,40
491543	D3	0	28,40
491544	D4	0	28,40
491545	D6	0	28,40
491557	S 8x30 M6/KL 28	0	35,50
491582	FS-RSP	0	12,70
491588	FS-KS	0	74,10
491594	FS-HZ 160	0	42,00
491616	H 05 RN-F 2x1 4 m	0	20,80
491622	FS 2424/2-LR32	0	221,00
491631	TKR-SYS	0	20,90
491632	SE-BP SYS-MAXI	0	8,70
491633	SE-DP SYS-MAXI	0	12,30
491634	TZE-UNI SYS-MINI	0	4,80
491635	TZE-6 SYS-MINI	0	4,80
491636	TZE-5 SYS-MINI	0	4,80
491637	TZE-3 SYS-MINI	0	4,70
491638	SE-DP SYS-MINI	0	4,00
491639	TZE-KT SYS 4	0	16,40
491640	SE-DP SYS 1-5	0	4,50
491641	DE SYS 1-5	0	4,90
491642	SE-BP SYS 1-5	0	4,20
491643	WZD-SYS	0	22,10
491647	HW S8 D8/30	0	36,20
491648	HW S8 D10/30	0	31,40
491649	HW S8 D12/30	0	33,20
491666	HW D 19/16 S8 OFK 700	0	38,70
491667	HW 22° D 24/14 S8 OFK 700	0	41,80
491668	HW 30° D 24/12 S8 OFK 700	0	42,50
491669	HW 45° D 24/10 S8 OFK 700	0	46,80
491670	HW D 19/12 S8 OFK 700	0	101,10
491671	HW 22° D 24/12 S8 OFK 700	0	101,10
491672	S8 HW D25/12/45GR OFK700	0	101,10
491673	S8 HW D20 R2 KL-OFK700	0	50,60
491674	S8 HW D22 R3 KL-OFK700	0	51,20
491675	HW R2 D 18 S8 OFK 700	0	43,70
491676	HW R3 D 20 S8 OFK 700	0	46,80
491741	FS-GB 10M	0	27,20
491750	ABSA-TS 55	0	36,90
491768	BS75/533x75-P180 RU/10	0	19,50
491769	BS105/620x105-P180 RU/10	0	25,20
491794	HW D5 F.BTA	0	22,90
491796	HS D13/3,5 F.BSTA	0	35,90
491821	BPS 12 S NiMH 3,0 Ah	0	92,60
491823	BPS 15,6 S NiMH 3,0 Ah	0	120,30

Order no.	Type	Tool Points	Trade price € exc. VAT
491825	BPS 12 C NiMH 2,0 Ah	0	92,60
491861	SSH-STF-LS130-LL195	0	14,90
491862	SSH-STF-LS130-LB130	0	14,90
491886	ZA-SYM 70 E	0	32,30
491921	SYS-PORT 500/2	30	348,40
491922	SYS-PORT 1000/2	43	468,80
491923	SYS-PORT/TA/2	0	82,70
491932	SYS-PORT R/2	0	67,40
491937	FS 2700/2	0	211,90
491952	160x2,2x20 W48	0	64,70
491984	SYS 3-SORT/6	0	116,40
491985	SYS 3-SORT/9	0	116,40
491986	SYS 3-SORT/12	0	116,40
492048	190x2,6 FF W32	0	64,90
492049	190x2,6 FF PW16	0	58,40
492050	190x2,4 FF W48	0	78,00
492051	190x2,6 FF TF58	0	123,90
492052	190x2,6 FF TF54	0	123,90
492090	VB	0	223,30
492092	VL	0	173,70
492095	LA	0	179,90
492100	ST	0	248,20
492125	ST-STF D125/8 FX-W-HT	0	32,80
492126	ST-STF D125/8 FX-SW	0	32,80
492127	ST-STF D125/8 FX-H	0	32,80
492128	PT-STF-D125 FX-RO125	0	18,90
492129	LT-STF D125/RO125	0	34,50
492135	WH-CE CENTROTEC	0	18,60
492174	SSH-LRB/115x228/10	0	25,50
492179	KR-D 8,5/OF 1400	0	14,50
492180	KR-D 13,8/OF 1400	0	14,50
492181	KR-D 17,0/OF 1400	0	14,50
492182	KR-D 24,0/OF 1400	0	14,50
492183	KR-D 24,0/OF 1400	0	14,50
492184	KR-D 27,0/OF 1400	0	14,50
492185	KR-D 30,0/OF 1400	0	14,50
492186	KR-D 40,0/OF 1400	0	14,50
492187	ZD-OF/D 6,35+8	0	18,00
492228	SGA	0	36,00
492241	CS 50 SP/10	0	14,20
492242	AF	0	74,50
492243	PA-TS 75	0	42,60
492271	IP-STF-D120/90/8	0	8,20
492280	ST-STF ES125/90/8-M4 W-HT	0	39,90
492282	ST-STF ES125/90/8-M4 SW	0	39,90
492284	ST-STF-LEX 125/90/8-M8 H	0	41,00
492286	ST-STF-LEX 125/90/8-M8 W-HT	0	41,00
492288	ST-STF-LEX 125/90/8-M8 SW	0	41,00
492310	SSH 115x221/10-RS 1 C	0	25,00
492348	STF D150/0 P1200 TI2/100	0	62,70
492349	STF D150/0 P1500 TI2/100	0	62,70
492363	STF D125/0 P1200 TI2/100	0	59,50
492364	STF D125/0 P1500 TI2/100	0	59,50
492365	STF D125/0 P3000 TI2/100	0	64,80
492368	STF D150/0 S400 PL2/15	0	38,50
492369	STF D150/0 S500 PL2/15	0	38,50
492370	STF D150/0 S1000 PL2/15	0	38,50
492371	STF D150/0 S2000 PL2/15	0	39,10
492372	STF D150/0 S4000 PL2/15	0	39,10
492373	STF D125/0 S400 PL2/15	0	32,50
492374	STF D125/0 S500 PL2/15	0	32,50
492375	STF D125/0 S1000 PL2/15	0	32,50
492376	STF D125/0 S2000 PL2/15	0	33,50
492377	STF D125/0 S4000 PL2/15	0	33,50
492378	STF D80/0 S2000 PL2/15	0	25,30
492379	STF D80/0 S4000 PL2/15	0	25,30
492388	RB SYS 1-5	0	49,20
492389	D 27 / D 36 S-RS	0	34,00
492390	D 27 / D 36 P-RS	0	69,10
492391	D 36 FD-210	0	4,90
492392	D 27 / D 36 D-RS	0	11,60
492419	MPA 6000/6	0	78,70
492421	MPA 10000/6	0	83,60
492422	MPA 11000/6	0	106,10
492424	MPA 6000/1	0	13,40
492426	MPA 10000/1	0	14,10
492427	MPA 11000/1	0	18,00
492512	D 3 CE/W	0	7,50
492513	D 4 CE/W	0	7,50
492514	D 5 CE/W	0	7,80
492515	D 6 CE/W	0	8,20
492516	D 7 CE/W	0	8,30
492517	D 8 CE/W	0	10,10
492518	D 10 CE/W	0	11,90
492520	QLS D2- 8 CE	0	23,80
492521	QLS D5-15 CE	0	29,50
492522	BTA HW D5 CE	0	34,30
492523	BSTA HS D3,5 CE	0	45,10
492524	BSTA HS D4,5 CE	0	47,50
492525	ZB HS D5 EURO CE	0	45,10
492526	HD D18 CE	0	9,00
492527	HIQ PZ 1-100 CE/2	0	13,00
492528	HIQ PZ 2-100 CE/2	0	13,00
492529	HIQ PZ 3-100 CE/2	0	13,00
492530	HIQ PH 1-100 CE/2	0	13,00
492531	HIQ PH 2-100 CE/2	0	13,00

Order no.	Type	Tool	
		Points	Trade price € exc. VAT
492532	HiQ PH 3-100 CE/2	0	13,00
492533	HiQ TX 15-100 CE/2	0	13,00
492534	HiQ TX 20-100 CE/2	0	13,00
492535	HiQ TX 25-100 CE/2	0	13,00
492536	HiQ TX 30-100 CE/2	0	13,00
492537	SZ 0,8x5,5-100 CE/2	0	13,00
492538	SZ 1,2x6,5-100 CE/2	0	13,00
492539	BH 60 CE	0	9,50
492540	BV 150 CE	0	19,00
492541	HSS D 1/10	0	5,00
492542	HSS D 1,5/10	0	5,00
492543	HSS D 2/10	0	5,00
492544	HSS D 2,5/10	0	5,30
492545	HSS D 3/10	0	5,60
492546	HSS D 3,5/10	0	6,40
492547	HSS D 4/10	0	9,00
492548	HSS D 4,5/10	0	10,50
492549	HSS D 5/10	0	12,50
492550	HSS D 5,5/10	0	13,50
492551	HSS D 6/10	0	14,50
492552	HSS D 6,5/10	0	17,10
492553	HSS D 7/5	0	10,20
492554	HSS D 7,5/5	0	12,20
492555	HSS D 8/5	0	13,50
492556	HSS D 8,5/5	0	14,80
492557	HSS D 9/5	0	16,00
492558	HSS D 9,5/5	0	17,30
492559	HSS D 10/5	0	20,90
492560	SBKS-HSS D 1-10	0	47,90
492574	LA - OF 1400	0	23,90
492582	SYS MAXI 2	0	69,80
492585	AH - OF 1400	0	28,40
492601	FS-OF 1400	0	49,10
492610	MFS 400	0	200,00
492611	MFS 700	0	313,10
492616	DOSH-FSAD	0	16,50
492617	GECKO DOSH	0	51,70
492648	BHS 65 CE	0	23,70
492653	HW D10/27 ss S10	0	79,70
492654	HW D12/27 ss S12	0	87,70
492655	HW Spi D12/42 RD ss S12	0	112,00
492656	HW Spi D12/42 LD ss S12	0	127,00
492661	HW D19/25 ss S12	0	76,20
492663	HW D23/15° ss S12	0	73,90
492665	HW D33,5/15° ss S12	0	76,20
492667	HW D66,5/30° ss S12	0	127,00
492669	HW R6.35/25/18° ss S12	0	113,10
492670	HW R6.35/25/12° ss S12	0	113,10
492671	HW R6.35/25/6° ss S12	0	113,10
492675	HW R12.7/25/18° ss S12	0	148,90
492676	HW R12.7/25/12° ss S12	0	148,90
492677	HW R12.7/25/6° ss S12	0	148,90
492681	HW R3/D22 ss S12	0	67,00
492682	HW R5/D26 ss S12	0	71,60
492683	HW R6.35/D28.8 ss S12	0	72,70
492684	HW R08/D32 ss S12	0	75,10
492685	HW R12.7/D41.4 ss S12	0	78,50
492686	HW R19/D54 ss S12	0	97,00
492687	HW R25.4/D66.8 ss S12	0	125,80
492695	HW R6.35/D44.7BN ss S12	0	102,70
492696	HW R12.7/D57.4BN ss S12	0	130,40
492697	HW R19/D70BN ss S12	0	153,50
492701	HW D 52/R1 ss S12	0	85,40
492703	HW D28/15° ss S12	0	84,30
492705	HW D28/25 ss S12	0	85,40
492707	HW R6,35/30° ss S12	0	109,70
492709	HW D 64/27 S12	0	137,40
492710	HW R16/D64/26 S12	0	125,80
492711	HW R20,5/16/D32/57 S12	0	118,90
492712	HW D68/14/R35 S12	0	131,60
492713	HW D16,3/12,3/9,3 S12	0	86,60
492714	HW D20,3/12,3/6 S12	0	91,20
492715	HW D14/30 S8	0	106,20
492716	HW D16/30 S8	0	103,60
492717	HW D18/30 S8	0	109,70
492722	MFS-VP 200	0	74,20
492723	MFS-VP 400	0	86,80
492724	MFS-VP 700	0	153,50
492725	MFS-VP 1000	0	182,40
492726	MFS-VP 2000	0	226,40
492727	APS 900	0	260,90
492732	KSF-OF 1400	0	17,30
492738	STF 115x228 P80 TI2/50	0	32,40
492739	STF 115x228 P100 TI2/100	0	59,70
492740	STF 115x228 P120 TI2/100	0	59,70
492741	STF 115x228 P150 TI2/100	0	59,70
492742	STF 115x228 P180 TI2/100	0	59,70
492743	STF 115x228 P220 TI2/100	0	59,70
492744	STF D185/16 P80 TI2/50	0	35,30
492745	STF D185/16 P100 TI2/100	0	70,00
492746	STF D185/16 P120 TI2/100	0	70,00
492747	STF D185/16 P150 TI2/100	0	70,00
492748	STF D185/16 P180 TI2/100	0	70,00
492749	STF D185/16 P240 TI2/100	0	70,00
492750	STF D185/16 P320 TI2/100	0	70,00
492751	STF D185/16 P360 TI2/100	0	70,00

Order no.	Type	Tool	
		Points	Trade price € exc. VAT
492765	CT-ASA GB 240V	0	218,60
492770	CT-ASA/SB GB 240V	0	273,50
492793	STF DELTA/7 P40 BR2/50	0	28,90
492794	STF DELTA/7 P60 BR2/50	0	26,40
492795	STF DELTA/7 P80 BR2/50	0	24,30
492796	STF DELTA/7 P100 BR2/100	0	42,30
492797	STF DELTA/7 P120 BR2/100	0	42,30
492798	STF DELTA/7 P150 BR2/100	0	42,30
492799	STF DELTA/7 P180 BR2/100	0	42,30
492800	STF DELTA/7 P220 BR2/100	0	42,30
492801	STF DELTA/7 P240 BR2/100	0	43,30
492802	STF DELTA/7 P320 BR2/100	0	43,30
492803	STF DELTA/7 P400 BR2/100	0	43,30
492804	STF DELTA/7 P40-BR2/10	0	8,30
492805	STF DELTA/7 P80 BR2/10	0	7,30
492806	STF DELTA/7 P120 BR2/10	0	6,80
492807	STF DELTA/7 P180 BR2/10	0	6,80
492818	STF 115x228 P40 BR2/10	0	10,40
492819	STF 115x228 P80 BR2/10	0	9,10
492820	STF 115x228 P120 BR2/10	0	8,40
492821	STF 115x228 P180 BR2/10	0	8,40
492822	STF 115x228 P40 BR2/50	0	41,30
492823	STF 115x228 P60 BR2/50	0	37,70
492824	STF 115x228 P80 BR2/50	0	34,90
492825	STF 115x228 P100 BR2/100	0	62,80
492826	STF 115x228 P120 BR2/100	0	62,80
492827	STF 115x228 P150 BR2/100	0	62,80
492828	STF 115x228 P180 BR2/100	0	62,80
492829	STF 115x228 P220 BR2/100	0	62,80
492830	STF 115x228 P240 BR2/100	0	62,80
492831	STF 115x228 P320 BR2/100	0	62,80
492832	STF 115x228 P400 BR2/100	0	62,80
492843	STF 46x178/0 P40 BR2/10	0	3,90
492844	STF 46x178/0 P80 BR2/10	0	3,50
492845	STF 46x178/0 P120 BR2/10	0	3,10
492846	STF 46x178/0 P180 BR2/10	0	3,10
492847	STF 46x178/0-MIX BR2/10	0	3,50
492848	STF 80x133 P40 BR2/50	0	22,50
492849	STF 80x133 P60 BR2/50	0	20,50
492850	STF 80x133 P80 BR2/50	0	18,90
492851	STF 80x133 P100 BR2/100	0	32,90
492852	STF 80x133 P120 BR2/100	0	32,90
492853	STF 80x133 P150 BR2/100	0	32,90
492854	STF 80x133 P180 BR2/100	0	32,90
492855	STF 80x133 P220 BR2/100	0	32,90
492856	STF 80x133 P240 BR2/100	0	33,70
492857	STF 80x133 P320 BR2/100	0	33,70
492858	STF 80x133 P400 BR2/100	0	33,70
492859	STF 80x133 P40 BR2/10	0	6,50
492860	STF 80x133 P80 BR2/10	0	5,70
492861	STF 80x133 P120 BR2/10	0	5,30
492862	STF 80x133 P180 BR2/10	0	5,30
492879	STF V93/6 P40 BR2/10	0	5,50
492880	STF V93/6 P80 BR2/10	0	4,80
492881	STF V93/6 P120 BR2/10	0	4,50
492882	STF V93/6 P180 BR2/10	0	4,50
492883	STF V93/6 P40 BR2/50	0	18,10
492884	STF V93/6 P60 BR2/50	0	16,60
492885	STF V93/6 P80 BR2/50	0	15,40
492886	STF V93/6 P100 BR2/100	0	27,60
492887	STF V93/6 P120 BR2/100	0	27,60
492888	STF V93/6 P150 BR2/100	0	27,60
492889	STF V93/6 P180 BR2/100	0	27,60
492890	STF V93/6 P220 BR2/100	0	27,60
492891	STF V93/6 P240 BR2/100	0	27,60
492892	STF V93/6 P320 BR2/100	0	27,60
492893	STF V93/6 P400 BR2/100	0	27,60
492907	STF 93x178/8 P40 BR2/10	0	8,30
492908	STF 93x178/8 P80 BR2/10	0	7,30
492909	STF 93x178/8 P120 BR2/10	0	6,70
492910	STF 93x178/8 P180 BR2/10	0	6,70
492911	STF 93x178/8 P40 BR2/50	0	30,90
492912	STF 93x178/8 P60 BR2/50	0	28,10
492913	STF 93x178/8 P80 BR2/50	0	26,10
492914	STF 93x178/8 P100 BR2/100	0	46,90
492915	STF 93x178/8 P120 BR2/100	0	46,90
492916	STF 93x178/8 P150 BR2/100	0	46,90
492917	STF 93x178/8 P180 BR2/100	0	46,90
492918	STF 93x178/8 P220 BR2/100	0	46,90
492919	STF 93x178/8 P240 BR2/100	0	46,90
492920	STF 93x178/8 P320 BR2/100	0	46,90
492921	STF 93x178/8 P400 BR2/100	0	46,90
492944	STF D125/90 P60 BR2/50	0	32,00
492945	STF D125/90 P80 BR2/50	0	30,20
492946	STF D125/90 P100 BR2/100	0	54,80
492947	STF D125/90 P120 BR2/100	0	54,80
492948	STF D125/90 P150 BR2/100	0	54,80
492949	STF D125/90 P180 BR2/100	0	54,80
492950	STF D125/90 P220 BR2/100	0	54,80
492951	STF D125/90 P320 BR2/100	0	54,80
492952	STF D125/90 P400 BR2/100	0	54,80
492966	STF D125/90 P80 TI2/50	0	29,00
492967	STF D125/90 P120 TI2/100	0	51,30
492968	STF D125/90 P150 TI2/100	0	51,30
492969	STF D125/90 P180 TI2/100	0	51,30
492970	STF D125/90 P220 TI2/100	0	51,30

Order no.	Type	Tool Points	Trade price € exc. VAT
492971	STF D125/90 P240 TI2/100	0	51,30
492972	STF D125/90 P320 TI2/100	0	51,30
492973	STF D125/90 P360 TI2/100	0	51,30
492974	STF D125/90 P400 TI2/100	0	51,30
493021	STF D185/16 P40 BR2/50	0	43,20
493022	STF D185/16 P60 BR2/50	0	39,00
493023	STF D185/16 P80 BR2/50	0	37,20
493027	STF D225/0 P16 BR2/25	0	64,80
493028	STF D225/0 P24 BR2/25	0	57,00
493029	STF D225/0 P40 BR2/25	0	35,90
493030	STF D225/0 P60 BR2/25	0	29,80
493031	STF D225/0 P80 BR2/25	0	27,80
493032	STF D225/0 P100 BR2/25	0	27,80
493033	STF D225/0 P120 BR2/25	0	27,80
493047	D 50/D 50 VM-AS	0	14,60
493055	D19x8x4,76	0	15,60
493056	D22x8x4,76/11°	0	17,90
493057	D18,5x8x4,76/15°	0	17,10
493059	D18,8x8x4,76/18°	0	17,10
493060	D20x8x4,76/12°	0	17,10
493061	D21,1x4,76/6°	0	17,90
493063	D28x8,3x15	0	19,10
493064	D39,5x8x4,76/30°	0	19,70
493066	MPA-F	0	14,40
493068	MPA-Microfibre/2	0	18,50
493069	RH-SK D 36/1	0	4,60
493077	PF-STF-D125x10-W/5	0	23,00
493078	PF-STF-D125x10-H/5	0	23,00
493079	LF-STF-D125/5	0	46,10
493114	STF D125/90 P50 RU/50	0	41,30
493115	STF D125/90 P80 RU/50	0	35,20
493116	STF D125/90 P100 RU/50	0	32,30
493117	STF D125/90 P120 RU/50	0	32,30
493118	STF D125/90 P150 RU/50	0	32,30
493119	STF D125/90 P180 RU/50	0	32,30
493124	STF D125/90 P24 SA/25	0	32,00
493125	STF D125/90 P36 SA/25	0	32,00
493126	STF D125/90 P50 SA/25	0	27,20
493127	STF D125/90 P80 SA/25	0	27,20
493140	SSH-STF-80x400/17	0	54,20
493175	STF 80x400 P40 TI2/50	0	44,10
493176	STF 80x400 P60 TI2/50	0	41,80
493177	STF 80x400 P80 TI2/50	0	41,20
493178	STF 80x400 P120 TI2/50	0	36,90
493179	STF 80x400 P180 TI2/50	0	36,90
493180	KSF-OF 1010	0	13,20
493196	210x2,6x30 PW16	0	64,80
493197	210x2,6x30 W18	0	51,20
493198	210x2,4x30 W36	0	67,00
493199	210x2,4x30 W52	0	90,90
493200	210x2,4x30 TF60	0	146,50
493201	210x2,4x30 TF72	0	146,50
493233	LAS-OF 1400	0	87,40
493259	KSF-OF 2000	0	16,90
493260	POZIDRIV + BH 60-CE	0	15,10
493261	TORX + BH 60-CE	0	15,10
493262	MIX + BH 60-CE	0	15,10
493263	HW S8 D22	0	52,70
493296	D 5X30/1800 BU	0	64,40
493297	D 6X40/1140 BU	0	64,40
493298	D 8X40/780 BU	0	64,40
493299	D 8X50/600 BU	0	64,40
493300	D 10X50/510 BU	0	64,40
493307	DOSH-SGT-S	0	13,00
493309	SZ 0,6x4,5-25/10	0	7,80
493310	SZ 0,8x5,5-25/10	0	7,80
493311	SZ 1,2x6,5-25/10	0	7,80
493315	KR-D 17,0/OF 1400	0	14,20
493334	HEPA HF-CT	0	73,20
493351	210x2,2x30 F36	0	102,20
493359	CMS-TS 55	0	279,00
493360	CMS-TS 75	0	289,00
493415	WHR/D-TC	0	44,40
493421	HSS D 3 /33 CE/M-Set	0	7,30
493422	HSS D 3,5/39 CE/M-Set	0	7,60
493423	HSS D 4 /43 CE/M-Set	0	7,80
493424	HSS D 4,5/47 CE/M-Set	0	9,30
493425	HSS D 5 /52 CE/M-Set	0	9,50
493426	HSS D 5,5/57 CE/M-Set	0	9,70
493427	HSS D 6 /57 CE/M-Set	0	10,00
493428	HSS D 6,5/63 CE/M-Set	0	10,70
493437	HSS D 3/33 M/10x	0	8,70
493438	HSS D 3,5/39 M/10x	0	9,30
493439	HSS D 4/43 M/10x	0	11,60
493440	HSS D 4,5/47 M/10x	0	13,20
493441	HSS D 5/52 M/10x	0	14,50
493442	HSS D 5,5/57 M/10x	0	15,60
493443	HSS D 6/57 M/10x	0	16,70
493444	HSS D 6,5/63 M/10x	0	18,90
493487	LA-DF 500	0	39,20
493488	QA-DF 500	0	39,20
493490	D 5-NL 20 HW-DF 500	0	25,70
493491	D 6-NL 28 HW-DF 500	0	26,20
493492	D 8-NL 28 HW-DF 500	0	27,40
493493	D 10-NL 28 HW-DF 500	0	30,70
493507	GECKO DOSH-Set	0	68,20

Order no.	Type	Tool Points	Trade price € exc. VAT
493520	HS 60/1,2 BI/100	0	191,40
493521	S 75/2,5/100	0	140,20
493522	S 75/4/100	0	102,60
493523	S 75/4 FS/100	0	179,80
493539	DD-DC	0	85,20
493544	MPA 11000/5KG	0	165,50
493558	WHR/CT-ASA	0	47,80
493562	UBS EAA/ASA TURBO	0	112,00
493570	HS 75/2,5 BI R/5	0	17,20
493572	D5	0	16,80
493616	STF 80x400 P240 TI2/50	0	36,90
493617	STF-80x400 P320 TI2/50	0	36,90
493648	BKS D 3-8 CE/W	0	39,40
493656	S 155/W/3	0	12,50
493657	STF D125/90 P40 BR2/50	0	35,70
493723	SSH-STF-Delta100x150/7	0	23,60
493775	FIS-SRM 45 /5	0	39,70
493776	FIS-SRH 45 /5	0	135,90
493777	FIS-SRM 70 /5	0	51,50
493789	HW S12 D13,2/35 PLANET	0	68,30
493790	HW S12 D15/35 SCHALL-EX	0	76,80
493816	MPA 8000/1	0	15,80
493817	MPA 8000/6	0	92,70
493822	VB-CMS	0	223,40
493823	VE-SRM 45	0	360,90
493824	VE-SRM 70	0	377,40
493825	AB-FI SRH 45	0	64,10
493826	AB-FI SRM 45/70	0	49,60
493835	LF-PREM.-STF-D 80/5	0	33,80
493836	LF-PREM.-STF-D125/1	0	11,10
493838	LF-PREM.-STF-D150/1	0	13,20
493840	LF-PREM.-STF-D180/1	0	20,40
493842	PS-STF-D 80x20-G/5	0	19,90
493843	PS-STF-D125x20-G/1	0	8,20
493844	PS-STF-D125x20-G/5	0	37,00
493845	PS-STF-D150x30-G/1	0	12,50
493846	PS-STF-D150x30-G/5	0	54,30
493847	PS-STF-D180x30-G/1	0	19,00
493848	PS-STF-D180x30-G/5	0	80,50
493849	PS-STF-D 80x20-M-OCS/5	0	21,80
493850	PS-STF-D125x20-M-OCS/1	0	11,80
493851	PS-STF-D125x20-M-OCS/5	0	52,90
493852	PS-STF-D150x30-M-OCS/1	0	15,50
493853	PS-STF-D150x30-M-OCS/5	0	69,60
493854	PS-STF-D180x30-M-OCS/1	0	18,30
493855	PS-STF-D180x30-M-OCS/5	0	82,30
493856	PS-STF-D 80x20-F-OCS/5	0	21,80
493857	PS-STF-D125x20-F-OCS/1	0	11,80
493859	PS-STF-D150x30-F-OCS/1	0	15,50
493860	PS-STF-D150x30-F-OCS/5	0	69,60
493861	PS-STF-D180x30-F-OCS/1	0	18,30
493863	PS-STF-D 80x20-F/5	0	19,90
493864	PS-STF-D125x20-F/1	0	10,30
493865	PS-STF-D125x20-F/5	0	46,00
493866	PS-STF-D150x30-F/1	0	12,50
493867	PS-STF-D150x30-F/5	0	54,30
493868	PS-STF-D180x30-F/1	0	19,00
493869	PS-STF-D180x30-F/5	0	80,50
493870	PS-STF-D 80x20-F-GEW/5	0	20,90
493871	PS-STF-D125x20-F-GEW/1	0	10,80
493872	PS-STF-D125x20-F-GEW/5	0	48,30
493873	PS-STF-D150x30-F-GEW/1	0	13,10
493874	PS-STF-D150x30-F-GEW/5	0	58,90
493875	PS-STF-D180x30-F-GEW/1	0	19,90
493876	PS-STF-D180x30-F-GEW/5	0	89,50
493877	PS-STF-D 80x20-SF-OCS/5	0	18,90
493878	PS-STF-D125x20-SF-OCS/1	0	7,80
493879	PS-STF-D125x20-SF-OCS/5	0	35,10
493880	PS-STF-D150x30-SF-OCS/1	0	11,90
493881	PS-STF-D150x30-SF-OCS/5	0	51,60
493882	PS-STF-D180x30-SF-OCS/1	0	18,00
493883	PS-STF-D180x30-SF-OCS/5	0	74,80
493884	PS-STF-D 80x20-SF-OCS/5	0	19,80
493885	PS-STF-D125x20-SF-OCS/1	0	8,80
493886	PS-STF-D125x20-SF-OCS/5	0	39,70
493887	PS-STF-D150x30-SF-OCS/1	0	12,00
493888	PS-STF-D150x30-SF-OCS/5	0	53,90
493889	PS-STF-D180x30-SF-OCS/1	0	18,60
493890	PS-STF-D180x30-SF-OCS/5	0	77,10
493912	FESTOOL PROTECTOR 125FX	0	8,70
493913	FESTOOL PROTECTOR 150FX	0	11,00
493955	Basis-TS 55	0	279,00
493956	CMS-AP/AT	0	225,00
493995	RK plug it 110 V	0	12,30
493996	plug it D 27/D 30x3,5M-AS GB 240V	0	126,30
493998	plug it D 27/D 30x3,5M-AS GB 110V	0	133,00
494006	IAS 2-10000 AS	0	526,10
494032	STF D125/90 P40 CR/50	0	35,70
494033	STF D125/90 P60 CR/50	0	32,00
494034	STF D125/90 P80 CR/50	0	30,20
494035	STF D125/90 P100 CR/100	0	54,80
494036	STF D125/90 P120 CR/100	0	54,80
494052	STF 80x133 P40 CR/10	0	6,50
494053	STF 80x133 P60 CR/10	0	6,50
494054	STF 80x133 P80 CR/10	0	6,50
494055	STF 80x133 P100 CR/10	0	6,50

Order no.	Type	Tool		Order no.	Type	Tool	
		Points	Trade price € exc. VAT			Points	Trade price € exc. VAT
494056	STF 80x133 P120 CR/10	0	6,50	495130	BKS D 3-8 CE/W-K	0	35,90
494057	STF 80x133 P40 CR/50	0	22,50	495131	1/4"-50 CE/KG CENTROTEC	0	18,80
494058	STF 80x133 P60 CR/50	0	20,50	495132	1/4"-50 CE/ST CENTROTEC	0	18,80
494059	STF 80x133 P 80 CR/50	0	18,90	495133	3/8"-70 CE/KG CENTROTEC	0	26,70
494060	STF 80x133 P100 CR/100	0	32,90	495134	3/8"-70 CE/ST CENTROTEC	0	26,70
494061	STF 80x133 P120 CR/100	0	32,90	495155	WHR/SRM 45-LHS 225	0	85,50
494105	FIS-CTL MIDI/5	0	19,90	495165	FT-MFK 700 1,5° Set	0	113,70
494134	MPA 8000/5KG	0	143,60	495166	BS-LHS 225	0	21,60
494254	STF 80X400 P40 CR/50	0	53,00	495167	BE-LHS 225	0	31,30
494255	STF 80X400 P60 CR/50	0	46,80	495168	ST-STF-D215/8-LHS 225	0	81,40
494256	STF 80X400 P80 CR/50	0	44,40	495169	VL-LHS 225	0	161,30
494257	STF 80X400 P100 CR/50	0	40,20	495174	STF D225/8 P24 SA/25	0	95,00
494258	STF 80X400 P120 CR/50	0	40,20	495175	STF D225/8 P36 SA/25	0	95,00
494309	STF D77/0 P500 TI2/50	0	26,70	495180	PS-STF-D150x20-F/m.K./5	0	49,30
494340	FP-LR 32	0	103,00	495182	SA-MFK 700	0	47,70
494369	AB-KS	0	54,60	495188	BG-RO 150	0	17,30
494370	SM-KS 120	0	88,70	495193	SYS-LHS 225	0	81,20
494388	CT-SG	0	38,50	495207	FS-SP 1400/T	0	8,60
494391	KL-KS	0	39,80	495209	FS-SP 5000/T	0	21,40
494445	EB-BSTA D 3,5/5x	0	11,80	495223	MPA-V 0,5L	0	17,80
494446	EB-BSTA D 4,5/5x	0	11,80	495225	TRC 3 GB	0	109,30
494459	SZ-D 6,0/OF 1400/2200	0	42,70	495228	CENTROTEC-DRIVE	0	17,90
494460	SZ-D 8,0/OF 1400/2200	0	42,70	495246	OF-FH 2200	0	172,10
494461	SZ-D 10,0/OF 1400/2200	0	42,70	495247	ST-OF 2200/2	0	15,80
494462	SZ-D 12,0/OF 1400/2200	0	42,70	495293	D 16 x 5m VAC SYS	0	71,80
494463	SZ-D 6,35/OF 1400/2200	0	42,70	495294	VAC SYS VT Sort	0	259,10
494464	SZ-D 9,53/OF 1400/2200	0	42,70	495308	HSS D 8,0/75 CE/M-Set	0	16,70
494465	SZ-D 12,7/OF 1400/2200	0	42,70	495309	HSS D 10,0/75 CE/M-Set	0	20,90
494475	MPA 10800-UV/5KG	0	221,40	495310	HSS D 8,0/75 M/5x	0	20,80
494528	IAS 2-15000 AS	0	712,80	495311	HSS D 10,0/75 M/5x	0	30,60
494595	S 75/4 FSG-GP20	0	57,20	495315	MFT/3	50	559,00
494604	260x2,5x30 W60	0	124,50	495339	KR-D 12,7/OF 2200	0	13,80
494605	260x2,5x30 W80	0	149,40	495340	KR-D 19,05/OF 2200	0	13,80
494606	260x2,5x30 TF64	0	146,20	495341	KR-D 25,4/OF 2200	0	13,80
494607	260x2,4x30 TF68	0	146,20	495342	KR-D 34,93/OF 2200	0	13,80
494622	KR-D 17,0/OF 2200	0	13,80	495465	MFT KAPEX	40	305,00
494623	KR-D 24,0/OF 2200	0	13,80	495502	MFT/3-QT	0	74,70
494624	KR-D 27,0/OF 2200	0	13,80	495513	MFT/3-VL GB 240V	32	379,00
494625	KR-D 30,0/OF 2200	0	13,80	495531	VB-CMS/CS 50	0	334,00
494626	KR-D 40,0/OF 2200	0	13,80	495541	MFT/3-ZK	0	26,00
494627	KRA-ZOLL/OF 2200	0	9,30	495542	MFT/3-AR	0	26,00
494631	FIS-CT/CTL/CTM 22/20	0	120,90	495543	MFT/3-LP	0	73,60
494632	FIS-CT/CTL/CTM 33/20	0	132,20	495544	MFT KAPEX-LP	0	61,70
494633	FIS-CT/CTL MINI/20	0	48,00	495562	MPA 10800-UV 0,5L	0	23,20
494643	BF-OF-CMS	0	45,50	495623	ST-STF D90/7 FX H-HT	0	26,60
494670	KSF-OF 2200	0	16,10	495625	PT-STF-D90 FX-R090	0	26,60
494675	LA-OF 2200 D36 CT	0	44,40	495648	MFS-FS	0	112,00
494677	LA-OF 2200 D36	0	44,40	495661	D 4X20/450 BU	0	11,80
494680	SA-OF 2200	0	81,20	495663	D 4-NL 11 HW-DF 500	0	30,10
494681	FS-OF 2200	0	96,30	495666	ZA-DF 500	0	19,30
494682	AFB-OF 2200	0	53,10	495717	FS-PA	0	171,50
494693	SZ-KS	0	11,20	495718	FS-PA-VL	0	101,90
494815	HS D13/4,5 F.BSTA	0	35,90	495747	TP 220	10	129,00
494832	BPS 15 Li 2,6 Ah	0	119,10	495756	Modul-EAA CT 22/33/44/55	0	52,10
494839	STF D125/90 P500 TI2/100	0	50,50	495802	SB-CT 26/36	0	61,60
494847	RA DF 500	0	32,80	495882	BTA/BSTA 5x	0	15,70
494859	D 5X30/900 MAU	0	64,40	495886	VE-CT 26/36	0	366,40
494860	D 6X40/570 MAU	0	64,40	495888	MFT/3 Basic USA	32	429,00
494861	D 8X40/390 MAU	0	64,40	495889	EAA-W-EU	0	234,10
494862	D 8X50/300 MAU	0	64,40	495890	EAA-D-EU	0	307,00
494863	D 10X50/255 MAU	0	64,40	495891	UBS EAA-MA	0	624,30
494869	D 5x30/300 MAU	0	23,60	495892	VE 2-EAA	0	395,40
494870	D 6x40/190 MAU	0	23,60	495920	STF-D185/16 P40 CR/50	0	38,90
494871	D 8x40/130 MAU	0	23,60	495921	STF-D185/16 P60 CR/50	0	37,40
494872	D 8x50/100 MAU	0	23,60	495922	STF-D185/16 P80 CR/50	0	37,30
494873	D 10x50/85 MAU	0	23,60	495923	STF-D185/16 P100 CR/100	0	72,80
494910	UBS-PUR 420 plug it GB 110 V	0	15,80	495924	STF-D185/16 P120 CR/100	0	72,80
494938	D 5X30/300 BU	0	11,80	495925	STF-D225/8 P16 BR2/25	0	64,90
494939	D 6X40/190 BU	0	11,80	495926	STF-D225/8 P24 BR2/25	0	57,50
494940	D 8X40/130 BU	0	11,80	495927	STF-D225/8 P40 BR2/25	0	35,90
494941	D 8X50/100 BU	0	11,80	495928	STF-D225/8 P60 BR2/25	0	29,80
494942	D 10X50/85 BU	0	11,80	495929	STF-D225/8 P80 BR2/25	0	27,90
494977	VAC SYS AD MFT/3	0	186,30	495930	STF-D225/8 P100 BR2/25	0	29,90
495013	D 36 DM-AS-LHS 225	0	17,70	495931	STF-D225/8 P120 BR2/25	0	29,90
495014	FIS-SRM 45-LHS 225 /5	0	32,60	495932	STF-D225/8 P240 BR2/25	0	29,90
495015	ENS-SRM 45-LHS 225 5X	0	28,40	495933	STF-D225/8 P320 BR2/25	0	29,90
495016	AB-FI SRM 45-LHS 225	0	47,10	495939	HB-Set	0	31,30
495045	STF D125/90 P800 TI2/100	0	59,50	495940	2x30 g	0	12,60
495058	SK D36/0 P2000 TI2/1000	0	179,30	495944	STF D77/0 P120 TI2/50	0	26,70
495059	SK D36/0 P2000 TI2/100	0	25,30	495945	STF D77/0 P150 TI2/50	0	26,70
495060	SK D36/0 P2500 TI2/1000	0	179,30	495946	STF D77/0 P180 TI2/50	0	26,70
495061	SK D36/0 P2500 TI2/100	0	25,30	495947	STF D77/0 P240 TI2/50	0	26,70
495062	SK D36/0 3000 TI2/1000	0	189,90	495948	STF D77/0 P280 TI2/50	0	26,70
495063	SK D36/0 3000 TI2/100	0	26,50	495949	STF D77/0 P320 TI2/50	0	26,70
495064	SK D36/0 5000 TI2/1000	0	288,60	495950	STF D77/0 P400 TI2/50	0	26,70
495065	SK D36/0 5000 TI2/100	0	37,10	495951	STF D77/0 P800 TI2/50	0	29,80
495066	STF D225/8 P150 BR2/25	0	29,90	495952	STF D77/0 P1200 TI2/50	0	29,80
495067	STF D225/8 P180 BR2/25	0	29,90	495953	STF D77/0 P1500 TI2/50	0	29,80
495068	STF D225/8 P220 BR2/25	0	29,90	495954	STF D77/0 P3000 TI2/50	0	32,20
495069	STF D225/8 P40 CR/25	0	34,20	495964	WHR-CT 36-LHS 225	0	85,50
495070	STF D225/8 P60 CR/25	0	34,20	495965	HSK-D 150 W	0	17,70
495071	STF D225/8 P80 CR/25	0	34,20	495966	HSK-D 150 H	0	18,80
495072	STF D225/8 P100 CR/25	0	29,90	495967	HSK 80x133 H	0	18,80
495073	STF D225/8 P120 CR/25	0	29,90	495968	KA-KS-R	0	261,40
495126	H 05 BQ-F 2x1 4 m GB 240 V	0	23,60	495969	KA-KS-L	0	261,40
495128	HSS D3-10 CE/10	0	79,50	495989	STF D125/90 P40 BR2/10	0	9,80

Order no.	Type	Tool Points	Trade price € exc. VAT
495990	STF D125/90 P60 BR2/10	0	8,90
495991	STF D125/90 P80 BR2/10	0	8,90
495992	STF D125/90 P120 BR2/10	0	8,20
495993	STF D125/90 P180 BR2/10	0	8,20
495994	STF D125/90 P320 BR2/10	0	8,20
495995	STF D125/90 P50 RU/10	0	11,30
495996	STF D125/90 P80 RU/10	0	9,60
495997	STF D125/90 P100 RU/10	0	8,90
495998	STF D125/90 P120 RU/10	0	8,90
495999	STF D125/90 P150 RU/10	0	8,90
496000	STF D125/90 P180 RU/10	0	8,90
496001	STF D125/90 P40 CR/10	0	8,20
496002	STF D125/90 P60 CR/10	0	8,20
496003	STF D125/90 P80 CR/10	0	8,20
496004	STF D125/90 P100 CR/10	0	8,20
496005	STF D125/90 P120 CR/10	0	8,20
496006	STF 115x228 P60 BR2/10	0	10,40
496007	STF 93x178/8 P60 BR2/10	0	8,30
496008	STF 80x133 P60 BR2/10	0	6,50
496009	STF 80x133/14 P180 RU/10	0	4,70
496010	STF DELTA/7 P60 BR2/10	0	8,30
496011	STF V93/6 P60 BR2/10	0	5,50
496012	STF V93/6 P50 RU/10	0	3,70
496013	STF V93/6 P80 RU/10	0	3,20
496014	STF V93/6 P100 RU/10	0	2,80
496015	STF V93/6 P120 RU/10	0	2,80
496044	SH-EAA	0	20,90
496054	HW S8 D 40x4 KL	0	63,90
496055	HW D40x4 KL	0	37,40
496106	ST-STF-D215/8-IP-LHS 225	0	90,80
496111	EW-TP 220	0	34,40
496112	AB DTS/RTS400/ETS125-AS	0	15,70
496120	Longlife-FIS-CT 26	0	130,60
496121	Longlife-FIS-CT 36	0	137,50
496122	WHR-CT	0	40,60
496124	STF D225/8 MIX CR/BR2/25	0	33,20
496134	WT-PS 400	0	95,90
496140	IP-STF-D215/8/2x	0	24,50
496141	DL CT 26/36	0	17,90
496143	EAA CT 26/36	0	52,10
496144	ST-STF D150/17MJ-FX-SW	0	40,40
496145	ST-STF D150/17MJ-M8-SW	0	44,40
496147	ST-STF D150/17MJ-FX-W-HT	0	40,40
496148	ST-STF D150/17MJ-M8-W-HT	0	44,40
496149	ST-STF D150/17MJ-FX-H	0	40,40
496150	ST-STF D150/17MJ-M8-H	0	44,40
496151	PT-STF-D150 MJ FX	0	27,00
496152	PT-STF-D150 MJ M8	0	20,00
496160	ST-STF D150/17MJ-M8-W	0	44,40
496169	NF-CT 26/36	0	12,90
496170	HF-CT 26/36	0	27,20
496171	HEPA HF-CT 26/36	0	70,40
496172	High Performance HF CT 26/36	0	36,50
496186	SC FIS-CT 36/5	0	36,80
496187	SC FIS-CT 26/5	0	33,60
496210	ST-STF D150/17 MJ 5/16"	0	45,90
496215	ENS-CT 36 AC/5	0	31,90
496216	ENS-CT 26 AC/5	0	29,40
496299	MPA 5000/1	0	25,00
496300	MPA 9000/1	0	17,60
496301	160x2,2x20 PW12	0	45,40
496302	160x2,2x20 W28	0	51,90
496303	225x2,6x30 PW18	0	65,10
496306	160x2,2x20 TF52	0	97,90
496308	160x2,2x20 TF48	0	97,90
496336	STF V93/6 P40 CR/10	0	5,50
496337	STF V93/6 P60 CR/10	0	5,50
496338	STF V93/6 P80 CR/10	0	5,50
496339	STF V93/6 P100 CR/10	0	5,50
496340	STF V93/6 P120 CR/10	0	5,50
496341	STF V93/6 P40 CR/50	0	18,10
496342	STF V93/6 P60 CR/50	0	18,10
496343	STF V93/6 P80 CR/50	0	18,10
496344	STF V93/6 P100 CR/100	0	27,60
496345	STF V93/6 P120 CR/100	0	27,60
496346	STF DELTA/7 P40-CR/10	0	8,30
496347	STF DELTA/7 P60-CR/10	0	8,30
496348	STF DELTA/7 P80-CR/10	0	8,30
496349	STF DELTA/7 P100-CR/10	0	8,30
496350	STF DELTA/7 P120-CR/10	0	8,30
496351	STF DELTA/7 P40-CR/50	0	28,90
496352	STF DELTA/7 P60-CR/50	0	28,90
496353	STF DELTA/7 P80-CR/50	0	28,90
496354	STF DELTA/7 P100-CR/100	0	42,30
496355	STF DELTA/7 P120-CR/100	0	42,30
496356	STF D115/0 P24 SA/5	0	9,40
496357	STF D115/0 P36 SA/5	0	9,40
496358	STF-D115/0 P50 SA/5	0	9,40
496359	STF D115/0 P80 SA/5	0	9,40
496368	STF D150/0 P3000 TI2/100	0	62,70
496369	Set ZBA-D CT26/36	0	19,80
496370	ZBA-D/R CT26/36	0	30,20
496371	UBS TC 3000 CT26/36	0	40,60
496373	ZBA-D CT26/36	0	11,50
496390	CE Set D 15-35	0	132,30
496395	HS 75/3 BI-FC/5	0	17,60

Order no.	Type	Tool Points	Trade price € exc. VAT
496406	NANO HF-SRM 45-LHS 225	0	46,40
496450	BA-CE CENTROTEC	0	15,10
496451	BSTA HS D5 CE	0	49,90
496452	EB-BSTA D5/5x	0	11,80
496453	HS D 13/5 BSTA	0	35,90
496459	EAA-AD-ASA	0	249,70
496468	CT-ASA CT 26/36/SB GB 240V	0	294,20
496472	D 15 CE	0	19,50
496473	D 20 CE	0	24,60
496474	D 25 CE	0	29,80
496475	D 30 CE	0	34,90
496476	D 35 CE	0	40,00
496508	STF D150/0 green/10	0	28,00
496509	STF D150/0 white/10	0	28,00
496510	STF D125/0 green/10	0	22,80
496511	STF D125/0 white/10	0	22,80
496512	STF D150/0 D500 DI/2	0	26,60
496513	STF D150/0 D1000 DI/2	0	26,60
496514	STF D150/0 D2000 DI/2	0	26,60
496515	STF D150/0 D3000 DI/2	0	26,60
496516	STF D125/0 D500 DI/2	0	21,50
496517	STF D125/0 D1000 DI/2	0	21,50
496518	STF D125/0 D2000 DI/2	0	21,50
496519	STF D125/0 D3000 DI/2	0	21,50
496520	STF D 80/0 D500 DI/4	0	31,70
496521	STF D 80/0 D1000 DI/4	0	31,70
496522	STF D 80/0 D2000 DI/4	0	31,70
496523	STF D 80/0 D3000 DI/4	0	31,70
496579	STF D150/16 P40 BR2/10	0	10,20
496580	STF D150/16 P60 BR2/10	0	8,80
496581	STF D150/16 P80 BR2/10	0	8,80
496582	STF D150/16 P120 BR2/10	0	8,80
496583	STF D150/16 P180 BR2/10	0	8,80
496584	STF D150/16 P320 BR2/10	0	8,80
496585	STF D150/16 P40 BR2/50	0	37,30
496586	STF D150/16 P60 BR2/50	0	33,70
496587	STF D150/16 P80 BR2/50	0	31,90
496588	STF D150/16 P100 BR2/100	0	58,10
496589	STF D150/16 P120 BR2/100	0	58,10
496590	STF D150/16 P150 BR2/100	0	58,10
496591	STF D150/16 P180 BR2/100	0	58,10
496592	STF D150/16 P220 BR2/100	0	58,10
496593	STF D150/16 P240 BR2/100	0	58,10
496594	STF D150/16 P320 BR2/100	0	58,10
496595	STF D150/16 P400 BR2/100	0	58,10
496596	STF D150/16 P40 CR/10	0	10,20
496597	STF D150/16 P60 CR/10	0	10,20
496598	STF D150/16 P80 CR/10	0	10,20
496599	STF D150/16 P100 CR/10	0	10,20
496600	STF D150/16 P120 CR/10	0	10,20
496601	STF D150/16 P40 CR/50	0	37,30
496602	STF D150/16 P60 CR/50	0	33,70
496603	STF D150/16 P80 CR/50	0	31,90
496604	STF D150/16 P100 CR/100	0	58,10
496605	STF D150/16 P120 CR/100	0	58,10
496606	STF D150/16 P50 RU/10	0	11,70
496607	STF D150/16 P80 RU/10	0	10,10
496608	STF D150/16 P100 RU/10	0	10,10
496609	STF D150/16 P120 RU/10	0	10,10
496610	STF D150/16 P150 RU/10	0	10,10
496611	STF D150/16 P180 RU/10	0	10,10
496612	STF D150/16 P24 RU/50	0	51,10
496613	STF D150/16 P36 RU/50	0	47,10
496614	STF D150/16 P50 RU/50	0	42,70
496615	STF D150/16 P80 RU/50	0	37,00
496616	STF D150/16 P100 RU/50	0	33,70
496617	STF D150/16 P120 RU/50	0	33,70
496618	STF D150/16 P150 RU/50	0	33,70
496619	STF D150/16 P180 RU/50	0	33,70
496620	STF-D150/16 P24 SA/5	0	11,40
496621	STF-D150/16 P36 SA/5	0	11,40
496622	STF-D150/16 P50 SA/5	0	11,40
496623	STF-D150/16 P80 SA/5	0	11,40
496624	STF-D150/16 P24 SA/25	0	45,90
496625	STF-D150/16 P36 SA/25	0	45,90
496626	STF-D150/16 P50 SA/25	0	39,00
496627	STF-D150/16 P80 SA/25	0	39,00
496628	STF-D150/16 P100 SA/25	0	39,00
496629	STF D150/16 P40 TI2/50	0	29,70
496630	STF D150/16 P60 TI2/50	0	29,70
496631	STF D150/16 P80 TI2/50	0	29,70
496632	STF D150/16 P100 TI2/100	0	54,00
496633	STF D150/16 P120 TI2/100	0	54,00
496634	STF D150/16 P150 TI2/100	0	54,00
496635	STF D150/16 P180 TI2/100	0	54,00
496636	STF D150/16 P220 TI2/100	0	54,00
496637	STF D150/16 P240 TI2/100	0	54,00
496638	STF D150/16 P280 TI2/100	0	54,00
496639	STF D150/16 P320 TI2/100	0	54,00
496640	STF D150/16 P360 TI2/100	0	54,00
496641	STF D150/16 P400 TI2/100	0	54,00
496642	STF D150/16 P500 TI2/100	0	54,00
496643	STF D150/16 P800 TI2/100	0	62,70
496647	IP-STF D 150/17 MJ	0	10,70
496731	Modul-SD CT 26/36 GB 240V	0	40,60
496736	Modul-SD E/A CT 26/36 GB 240V	0	40,60

Order no.	Type	Tool		Order no.	Type	Tool	
		Points	Trade price € exc. VAT			Points	Trade price € exc. VAT
496801	FESTOOL Protector 90FX	0	8,70	497159	STF 80x400 P80 GR/50	0	48,00
496802	SSH-GE-STF-RO90 DX	0	21,60	497160	STF 80x400 P120 GR/50	0	44,00
496803	LSS-STF-RO90 V93/6	0	26,60	497161	STF 80x400 P150 GR/50	0	44,00
496804	ST-STF D90/7 FX W-HT	0	26,60	497162	STF 80x400 P180 GR/50	0	44,00
496824	MFT/3-TP 2000 LA	0	154,00	497163	STF 80x400 P240 GR/50	0	44,00
496862	MS DH VE-CT-ASA-CT26/36	0	40,90	497164	STF 80x400 P320 GR/50	0	44,00
496905	BF-FX 13 C	0	52,20	497165	STF D125/90 P40 GR/50	0	40,00
496911	TG-LHS 225	0	203,00	497166	STF D125/90 P60 GR/50	0	37,00
496916	ZG-LHS 225	0	39,80	497167	STF D125/90 P80 GR/50	0	35,00
496927	LED-FX C/T-HL	0	25,40	497168	STF D125/90 P100 GR/100	0	58,00
496929	IAS 2-DA-CT	0	154,70	497169	STF D125/90 P120 GR/100	0	58,00
496934	BB-PZ	0	11,80	497170	STF D125/90 P150 GR/100	0	58,00
496935	BB-TX	0	11,80	497171	STF D125/90 P180 GR/100	0	58,00
496936	BB-MIX	0	11,80	497172	STF D125/90 P220 GR/100	0	58,00
496938	LA-LR 32 FS	0	19,80	497173	STF D125/90 P240 GR/100	0	58,00
496939	FS 1400/2-LR 32	0	90,50	497174	STF D125/90 P280 GR/100	0	58,00
496962	HSK-A 80x130	0	51,00	497175	STF D125/90 P320 GR/100	0	58,00
496963	HSK-A 115x226	0	96,90	497176	STF D125/90 P360 GR/100	0	58,00
496964	HSK-A 80x400	0	107,10	497177	STF D125/90 P400 GR/100	0	58,00
496965	HSK-A 80x200	0	76,50	497178	STF D125/90 P500 GR/100	0	58,00
496972	D 36x3,5-AS/KS/LHS 225	0	129,50	497183	STF D185/16 P40 GR/50	0	50,00
496975	STF D150/16 P40 GR/50	0	44,00	497184	STF D185/16 P60 GR/50	0	48,00
496976	STF D150/16 P60 GR/50	0	40,00	497185	STF D185/16 P80 GR/50	0	48,00
496977	STF D150/16 P80 GR/50	0	39,00	497186	STF D185/16 P120 GR/100	0	80,00
496978	STF D150/16 P100 GR/100	0	64,00	497187	STF D185/16 P150 GR/100	0	80,00
496979	STF D150/16 P120 GR/100	0	64,00	497188	STF D185/16 P180 GR/100	0	80,00
496980	STF D150/16 P150 GR/100	0	64,00	497189	STF D185/16 P240 GR/100	0	80,00
496981	STF D150/16 P180 GR/100	0	64,00	497190	STF D185/16 P320 GR/100	0	80,00
496982	STF D150/16 P220 GR/100	0	64,00	497191	STF D185/16 P400 GR/100	0	80,00
496983	STF D150/16 P240 GR/100	0	64,00	497203	STF 80x400 P280 GR/50	0	44,00
496984	STF D150/16 P280 GR/100	0	64,00	497204	STF 80x133 P280 GR/100	0	36,00
496985	STF D150/16 P320 GR/100	0	64,00	497205	STF 115x228 P280 TI2/100	0	59,70
496986	STF D150/16 P360 GR/100	0	64,00	497216	BF-FX 8 FastFix	0	31,30
496987	STF D150/16 P400 GR/100	0	64,00	497253	BPC 18 Li 2,6 Ah	0	141,20
496988	STF D150/16 P500 GR/100	0	64,00	497268	FB-CE	0	15,10
496998	DPK DF 500 / 50	0	69,40	497297	LAS-PS 400	0	8,20
496999	EFK DF 500 / 20	0	17,40	497298	LAS-Soft-PS 400	0	8,20
497000	KBK DF 500 / 20	0	44,90	497299	LAS-HGW-PS 400	0	12,30
497001	WIK DF 500 / 20	0	38,80	497300	LAS-St-PS 400	0	12,30
497019	BPC 12 Li 1,3 Ah	0	82,50	497301	LAS-STF-PS 400	0	12,30
497020	BPC 15 Li 2,6 Ah	0	119,10	497303	ADT-PS 400	0	11,80
497083	D5x30/900 BU	0	34,70	497304	KS-PS 400	0	39,80
497088	VERYFINE 320 115x152/30	0	27,60	497351	UG-KAPEX	40	300,90
497089	ULTRAFINE 800 115x152/30	0	27,60	497352	KA-UG-R	0	183,60
497090	MICROFINE1000 115x152/30	0	27,60	497353	KA-UG-L	0	183,60
497091	GRANAT SOFT P120 115x25M	0	55,00	497354	UG-KA-Set	40	550,80
497092	GRANAT SOFT P150 115x25M	0	55,00	497363	STF D90/6 P40 GR/50	0	24,00
497093	GRANAT SOFT P180 115x25M	0	55,00	497364	STF D90/6 P60 GR/50	0	22,00
497094	GRANAT SOFT P240 115x25M	0	55,00	497365	STF D90/6 P80 GR/50	0	21,00
497095	GRANAT SOFT P320 115x25M	0	55,00	497366	STF D90/6 P100 GR/100	0	36,00
497096	GRANAT SOFT P400 115x25M	0	55,00	497367	STF D90/6 P120 GR/100	0	36,00
497097	GRANAT SOFT P500 115x25M	0	55,00	497368	STF D90/6 P150 GR/100	0	36,00
497098	GRANAT SOFT P600 115x25M	0	55,00	497369	STF D90/6 P180 GR/100	0	36,00
497101	HSK-A-Set	0	265,20	497370	STF D90/6 P220 GR/100	0	36,00
497117	STF 80x133 P40 GR50	0	26,00	497371	STF D90/6 P240 GR/100	0	36,00
497118	STF 80x133 P60 GR/50	0	24,00	497372	STF D90/6 P320 GR/100	0	36,00
497119	STF 80x133 P80 GR/50	0	22,00	497373	STF D90/6 P400 GR/100	0	36,00
497120	STF 80x133 P120 GR/100	0	36,00	497374	STF D90/6 P80 RU/50	0	20,40
497121	STF 80x133 P150 GR/100	0	36,00	497375	STF D90/6 P100 RU/50	0	20,40
497122	STF 80x133 P180 GR/100	0	36,00	497376	STF D90/6 P120 RU/50	0	20,40
497123	STF 80x133 P220 GR/100	0	36,00	497377	STF D90/6 P150 RU/50	0	20,40
497124	STF 80x133 P240 GR/100	0	36,00	497378	STF D90/6 P180 RU/50	0	20,40
497125	STF 80x133 P320 GR/100	0	36,00	497379	STF D90/6 P40 BR2/50	0	23,50
497126	STF 80x133 P400 GR/100	0	36,00	497380	STF D90/6 P60 BR2/50	0	21,50
497127	STF 80x133 P40 GR/10	0	8,50	497381	STF D90/6 P80 BR2/50	0	19,40
497128	STF 80x133 P80 GR/10	0	8,50	497382	STF D90/6 P100 BR2/100	0	33,70
497129	STF 80x133 P120 GR/10	0	8,50	497383	STF D90/6 P120 BR2/100	0	33,70
497130	STF 80x133 P180 GR/10	0	8,50	497384	STF D90/6 P150 BR2/100	0	33,70
497131	STF DELTA/7 P40 GR/10	0	8,50	497385	STF D90/6 P180 BR2/100	0	33,70
497132	STF DELTA/7 P80 GR/10	0	8,50	497386	STF D90/6 P220 BR2/100	0	33,70
497133	STF DELTA/7 P120 GR/10	0	8,50	497387	STF D90/6 P240 BR2/100	0	33,70
497134	STF DELTA/7 P180 GR/10	0	8,50	497388	STF D90/6 P320 BR2/100	0	33,70
497135	STF DELTA/7 P40 GR/50	0	33,00	497389	STF D90/6 P400 BR2/100	0	33,70
497136	STF DELTA/7 P60 GR/50	0	30,00	497390	STF V93/6 P40 GR/50	0	21,00
497137	STF DELTA/7 P80 GR/50	0	28,00	497391	STF V93/6 P60 GR/50	0	19,00
497138	STF DELTA/7 P120 GR/100	0	46,00	497392	STF V93/6 P80 GR/50	0	18,00
497139	STF DELTA/7 P150 GR/100	0	46,00	497393	STF V93/6 P100 GR/100	0	30,00
497140	STF DELTA/7 P180 GR/100	0	46,00	497394	STF V93/6 P120 GR/100	0	30,00
497141	STF DELTA/7 P220 GR/100	0	46,00	497395	STF V93/6 P150 GR/100	0	30,00
497142	STF DELTA/7 P240 GR/100	0	46,00	497396	STF V93/6 P180 GR/100	0	30,00
497143	STF DELTA/7 P320 GR/100	0	46,00	497397	STF V93/6 P220 GR/100	0	30,00
497144	STF DELTA/7 P400 GR/100	0	46,00	497398	STF V93/6 P240 GR/100	0	30,00
497145	STF D125/90 P40 GR/10	0	9,80	497399	STF V93/6 P320 GR/100	0	30,00
497146	STF D125/90 P60 GR/10	0	9,80	497400	STF V93/6 P400 GR/100	0	30,00
497147	STF D125/90 P80 GR/10	0	9,80	497401	STF D90/0 A80 VL/10	0	20,40
497148	STF D125/90 P120 GR/10	0	9,80	497402	STF D90/0 A100 VL/10	0	20,40
497149	STF D125/90 P180 GR/10	0	9,80	497403	STF D90/0 A280 VL/10	0	20,40
497150	STF D125/90 P320 GR/10	0	9,80	497404	STF D90/0 S800 VL/10	0	20,40
497151	STF D150/16 P40 GR/10	0	11,00	497443	KS-PS 400 Set	0	50,00
497152	STF D150/16 P60 GR/10	0	11,00	497444	EF-LAS-STF-PS 400	0	7,20
497153	STF D150/16 P80 GR/10	0	11,00	497453	KR-D 30,0/21,5/OF 2200	0	24,50
497154	STF D150/16 P120 GR/10	0	11,00	497454	HW S12 D16/50 WP	0	182,60
497155	STF D150/16 P180 GR/10	0	11,00	497455	HW KN D20/50 WP/K	0	193,80
497156	STF D150/16 P320 GR/10	0	11,00	497456	HW KN D24/50 WP/K	0	202,50
497157	STF 80x400 P40 GR/50	0	51,00	497457	HW KN D20/D24 Set WP/K	0	458,00
497158	STF 80x400 P 60 GR/50	0	49,00	497458	Wepla Set D 16 2+2	0	40,30

Order no.	Type	Tool Points	Trade price € exc. VAT	Order no.	Type	Tool Points	Trade price € exc. VAT
497471	WCR 1000	25	329,00	561196	CS 50 E GB 110V	91	1.175,00
497472	WCR 1000 PT	0	68,40	561202	CS 50 EB-Set GB 240V	91	1.765,00
497473	WCR 1000 UH	0	33,70	561204	CS 50 E-Set GB 110V	91	1.765,00
497474	WCR 1000 WH	0	47,00	561231	CMS-GE GB 110V	35	419,00
497475	WCR 1000 SHQ	0	17,40	561253	CS 70 EB-Set GB 240V	128	2.309,00
497476	WCR 1000 PF 2x	0	9,90	561254	CS 70 EB GB 240V	128	1.499,00
497477	WCR 1000 AB	0	35,70	561256	SYM 70 E GB 240V	56	665,00
497481	IP-STF-D90/6	0	6,70	561257	CS 70 E GB 110V	128	1.265,00
497483	LSS-STF-R090 V93 E	0	13,30	561259	TS 75 EQ-Plus-FS GB 110V	47	609,00
497496	MXC GB 240V	0	75,30	561261	CMS-GE GB 240V	35	419,00
497514	KA-UG-R/L	0	367,20	561262	CMS-PS	0	149,00
497519	BP-XS	0	72,50	561285	KS 120 EB GB 240V	100	1.085,00
497525	LZK-HM	0	55,10	561286	KS 120 EB GB 110V	100	1.085,00
497563	SYS 1 TL	0	43,80	561291	KS 120 EB Set GB 240V	140	1.779,00
497564	SYS 2 TL	0	47,70	561292	KS 120 EB Set GB 110V	140	1.779,00
497565	SYS 3 TL	0	51,70	561310	CS 70 E-Set GB 110V	128	2.309,00
497566	SYS 4 TL	0	55,60	561311	TS 55 EQ-Plus-FS GB 110V	38	455,00
497567	SYS 5 TL	0	59,40	561399	KS 88 E GB 110V	71	820,00
497568	Wepla Set D 20 2+2	0	44,40	561400	KS 88 E GB 240V	71	820,00
497569	Wepla Set D 24 2+2	0	41,40	561413	KS 88 UG-Set GB 240V	111	1.369,00
497628	SYS 1 CE-SORT	0	356,00	561414	KS 88 UG-Set GB 110V	111	1.369,00
497655	ZS-OF 2200 M	0	319,20	561417	KS 120 UG-Set GB 240V	140	1.615,00
497657	FS-SYS/2	0	134,90	561418	KS 120 UG-Set GB 110V	140	1.615,00
497658	SYS-HWZ	0	123,20	561429	TS 55 EBQ-Plus GB 240V	38	409,00
497660	SYS-ETS/ES 150	0	55,30	561431	TS 55 EQ-Plus GB 110V	38	409,00
497661	SYS-PF 1200/ATF/AP 55	0	59,20	561439	TS 75 EQ-Plus GB 110V	47	559,00
497662	SYS-RO 150 E/WTS 150	0	52,30	561441	TS 75 EBQ-Plus GB 240V	47	559,00
497663	SYS-RS/RTS 400	0	47,30	561442	AXT 50 LA-Plus	97	1.139,00
497664	SYS-LS 130	0	47,30	561449	PS 300 EQ-Plus GB 110V	20	239,00
497667	SYS-T+3	0	47,30	561450	PS 300 EQ-Plus GB 240V	20	239,00
497668	SYS-RS 100/RS 1	0	51,30	561457	PSB 300 EQ-Plus GB 110V	20	239,00
497669	SYS-RS 300/RS 3	0	51,30	561459	PSB 300 EQ-Plus GB 240V	20	239,00
497670	SYS-DX	0	47,30	561463	PS 400 EBQ-Plus GB 240V	29	305,00
497671	SYS-RS 200/RS 2	0	51,30	561464	PS 400 EBQ-Plus GB 110V	29	305,00
497672	SYS-RAS 115	0	51,30	561469	PSB 400 EBQ-Plus GB 240V	29	305,00
497673	SYS-EHL	0	51,30	561470	PSB 400 EBQ-Plus GB 110V	29	305,00
497674	SYS-ETS 125/ES 125	0	51,30	561474	PSC 400 EB-Plus Li 15 GB 240V	40	389,00
497675	SYS-OFK 500	0	51,30	561478	PSC 400 GG -Plus Li 15	40	329,00
497676	SYS-DS/DTS 400	0	51,30	561480	PSBC 400 EB-Plus Li 15 GB 240V	40	389,00
497677	SYS-TPE	0	55,30	561484	PSBC 400 EB/GG Li 15	40	329,00
497678	SYS-OF 1010/KF	0	55,30	561492	PS 400 EBQ-Set GB 240V	29	469,00
497679	SYS-HL	0	55,30	561493	PS 400 EBQ-Set GB 110V	29	469,00
497680	SYS-RO 150 FEQ	0	55,30	561494	PSB 400 EBQ-Set GB 240V	29	469,00
497681	SYS-TS 55	0	59,20	561495	PSB 400 EBQ-Set GB 110V	29	469,00
497682	SYS-TS 75	0	73,50	561501	PSC 400 EB-Set Li 15 GB 240V	40	549,00
497683	SYS-STF D115	0	47,30	561505	PBSC 400 EB-Set Li 15 GB 240V	40	549,00
497684	SYS-STF 80x133	0	47,30	561514	TS 75 EBQ-Plus-FS GB 240V	47	609,00
497685	SYS-STF D125	0	47,30	561515	TS 55 EBQ-Plus-FS GB 240V	38	455,00
497686	SYS-STF Delta 100x150	0	47,30	561517	TS 55 Q-Plus-FS GB 240V	31	385,00
497687	SYS-STF RO 90 DX	0	46,60	561525	CMS-TS 55-Set GB 240V	73	1.045,00
497688	SYS-STF 115x228	0	51,30	561526	CMS-TS 55-Set GB 110V	73	1.045,00
497689	SYS-STF 93x178/93V	0	51,30	561533	PSC 400 GG -Plus Li 18	40	349,00
497690	SYS-STF D150	0	55,30	561534	PSBC 400 GG-Plus Li 18	40	349,00
497691	SYS-STF D225	0	58,90	561536	PSBC 400 EB-Plus Li 18 GB 240V	40	409,00
497692	SYS 1 UNI	0	47,30	561540	PSBC 400 EB-Set Li 18 GB 240V	40	575,00
497693	SYS 1 VARI	0	50,90	561544	PSC 400 EB-Plus Li 18 GB 240V	40	409,00
497694	SYS 1 BOX	0	61,70	561548	PSC 400 EB-Set Li 18 GB 240V	40	575,00
497695	SYS-OF DB/D12	0	61,70	564268	CXS Li 1,3 Plus GB	24	189,00
497696	SYS 2 VARI	0	54,90	564272	CXS Li 1,3 Set GB	24	249,00
497697	D 27/D 36 K-RS-Plus	0	61,60	564298	T 12+3 Li 2,6 Plus GB	39	399,00
497698	D36 RS-M-Plus	0	137,70	564306	T 15+3 Li 2,6 Plus GB	41	429,00
497699	D 36 BD 370 RS-Plus	0	171,30	564309	T 15+3 Li 2,6 Set GB	41	519,00
497700	D36 HW-RS-Plus	0	186,70	564324	C 12 Li 1,3 Plus GB	36	379,00
497701	D36 WB-RS-Plus	0	199,70	564328	C 12 Li 1,3 Set GB	36	475,00
497702	D36 UNI-RS-Plus	0	122,60	564332	C 15 Li 2,6 Plus GB	41	429,00
497703	SORT-SYS DOMINO	0	63,40	564336	C 15 Li 2,6 Set GB	41	519,00
497704	DS 4/5/6/8/10 1255x BU	0	192,50	564340	T 18+3 Li 2,6 Plus GB	43	459,00
497709	ZH-SYS-PS 400	0	192,80	564343	C 15 Li/GG	41	295,00
497821	SYS-STF D150 4S	0	59,00	564344	C 12 Li/GG	36	249,00
497850	STF D90/6 P280 GR /100	0	36,00	564346	T 18+3 Li 2,6 Set GB	43	549,00
497851	SYS 1 TL-DF	0	56,90	567680	RTS 400 EQ GB 240V	21	235,00
497852	SYS 2 TL-DF	0	56,90	567684	RTS 400 Q GB 240V	18	199,00
497855	AB-BF SYS TL 55x85mm /10	0	3,50	567771	RTS 400 Q-Plus GB 240V	18	225,00
497856	ZSG -Sys 1/2 TL / 1	0	14,50	567853	LS 130 EQ-Plus GB 240V	30	365,00
497876	TZE-KT SYS 5 TL	0	16,40	567858	DX 93 E-Plus GB 240V	20	249,00
497877	SYS-VARI SE TL	0	16,70	567866	RTS 400 EQ-Plus GB 240V	21	259,00
497878	SYS-VARI RM TL	0	13,10	567872	DTS 400 EQ-Plus GB 240V	21	259,00
497879	WZD-SYS TL	0	22,10	567881	RS 200 EQ-Plus GB 240V	34	405,00
497880	DE SYS 1-5 TL	0	4,90	570234	BS 105 E-Set GB 240V	61	719,00
497881	1/4"-CE RA-Set 37	0	111,20	570235	BS 105 E-Plus GB 240V	49	585,00
497925	D 36/32x3,5m-AS	0	107,10	570249	CMS-MOD-BS 120 GB 240V	30	649,00
497926	VS-CT AC/SRM45 PLANEX	0	39,80	570251	CMS-OF	0	475,00
497936	FP-RO 90	0	25,50	570252	CMS-OF 2000	0	475,00
497951	XS-AS	0	42,90	570253	BS 75 E-Plus GB 240V	30	365,00
497952	BPC 12 Li 2,6 Ah	0	98,40	570254	BS 75 E-Set GB 240V	39	469,00
497964	GRANAT SOFT P800 115x25M	0	55,00	570442	RW 1000 EQ GB 240V	34	389,00
497975	SYS-SERVICE LEX	0	165,70	570443	RW 1000 EQ GB 110V	34	419,00
498038	BOX 49x49/12 SYS1 TL	0	10,20	570747	RAW 180.03 E-AH GB 240V	50	595,00
498039	BOX 49x98/6 SYS1 TL	0	7,80	570748	RAW 180.03 E-HR GB 240V	70	835,00
498040	BOX 98x98/3 SYS1 TL	0	6,10	570749	RAP 80.02 E GB 240V	27	325,00
498041	BOX 98x147/2 SYS1 TL	0	5,50	570751	POLLUX 180 E GB 240V	38	445,00
498042	BOX 49x245/2 SYS1 TL	0	8,20	570767	RAP 150 FE GB 240V	39	395,00
498043	BOX TZE-SYS 1 TL	0	5,60	570778	RAP 150 FE GB 110V	39	395,00
498044	SE-DP SYS 1-5 TL	0	4,50	570786	RAP 150 FE-Set paint	39	519,00
498045	SE-BP SYS 1-5 TL	0	4,20	570793	RAS 115.04 E-Set GB 240V	30	355,00
561194	CS 50 EB GB 240V	91	1.089,00	570795	RAP 150 FE-Set wood	39	565,00

Order no.	Type	Tool Points	Trade price € exc. VAT
571578	LHS 225 EQ-Plus GB 110V	77	905,00
571619	ETS 125 EQ GB 240V	22	235,00
571671	ETS 125 Q GB 240V	19	199,00
571687	LHS 225 EQ-Plus GB 240V	77	905,00
571720	LHS 225 EQ-Plus/IP GB 110V	77	905,00
571723	LHS 225 EQ-Set/IP GB 110V	153	1.715,00
571735	ETS 150/3 E GB 240V	25	275,00
571746	ETS 150/5 E GB 240V	25	275,00
571771	ETS 150/5 E-C GB 240V	25	275,00
571783	RO 125 FEQ Plus GB 110V	33	399,00
571784	RO 125 FEQ Plus GB 240V	33	399,00
571790	ETS 150/3 EQ-Plus GB 110V	25	305,00
571792	ETS 150/3 EQ-Plus GB 240V	25	305,00
571799	ETS 150/5 EQ-Plus GB 240V	25	305,00
571800	ETS 150/5 EQ Plus GB 110V	25	305,00
571808	RO 150 FEQ-Plus GB 240V	41	489,00
571809	RO 150 FEQ-Plus GB 110V	41	489,00
571818	ETS 125 EQ-Plus GB 240V	22	265,00
571821	RO 90 DX FEQ-Plus GB 240V	33	399,00
571822	RO 90 DX FEQ-Plus GB 110V	33	399,00
571832	LHS225-IP/CTM36-Set GB 110V	73	1.655,00
574327	DF 500 Q-Plus GB 240V	56	655,00
574329	DF 500 Q-Plus GB 110V	56	655,00
574334	OF 1010 EBQ-Plus GB 240V	31	369,00
574338	OF 1010 EQ-Plus GB 110V	31	369,00
574344	OF 1400 EQ-Plus GB 110V	43	509,00
574345	OF 1400 EBQ-Plus GB 240V	43	509,00
574352	OF 2200 EB-Plus GB 240V	71	715,00
574353	OF 2200 EB-Plus GB 110V	71	715,00
574358	OFK 500 Q-Plus R3 GB 240V	23	279,00
574362	OFK 700 EQ-Plus GB 240V	40	469,00
574365	MFK 700 EQ-Set GB 110V	34	455,00
574366	MFK 700 EQ-Set GB 240V	34	455,00
574370	MFK 700 EQ-Plus GB 110V	34	359,00
574371	MFK 700 EQ-Plus GB 240V	34	359,00
574374	OF 1010 EBQ-Set GB 240V	31	395,00
574377	OF 1010 EQ-Set GB 110V	31	395,00
574390	PF 1200 E-Plus Alucobond GB	150	1.585,00
574391	PF 1200 E-Plus Dibond GB	150	1.585,00
574395	OF 2200 EB-Set GB 240V	71	985,00
574396	OF 2200 EB-Set GB 110V	71	985,00
574429	DF 500 Q-Set GB 240 V	56	709,00
574547	EHL 65 E-Plus GB 240V	21	245,00
574548	EHL 65 E-Plus GB 110V	21	245,00
574552	HL 850 E-Plus GB 110V	38	449,00
574555	HL 850 EB-Plus GB 240V	38	449,00
580062	VAC SYS SE 2	36	429,00
580063	VAC SYS FV	0	71,80
580064	VAC SYS VT 200x60	0	65,60
580065	VAC SYS VT 277x32	0	97,80
580066	VAC SYS VT 275x100	0	77,00
580067	VAC SYS VT D 215	0	77,00
580072	VAC SYS VP GB 240V	44	525,00
583129	HSK-STF-46x178	0	9,70
583287	SRH 45 E	112	1.285,00
583288	SRM 45 LE-EC	174	2.039,00
583290	LR 32 Set	0	182,00
583313	CTM 44 LE	93	1.099,00
583330	CTL 44 LE	76	899,00
583358	CTL MINI GB 240V	26	309,00
583364	CTL MINI GB 110V	26	309,00
583374	CTL MIDI GB 240V	27	335,00
583380	CTL MIDI GB 110V	27	335,00
583477	LHS 225 EQ-Set GB 240V	153	1.715,00
583478	LHS 225 EQ-Set GB 110V	153	1.715,00
583480	SRM 70 LE-EC GB 240V	197	2.305,00
583481	CTL 44 E GB 240V	61	735,00
583482	CTM 44 E GB 240V	79	935,00
583484	CTM 55 E GB 240V	89	1.055,00
583498	CTL 26 E GB 110V	39	465,00
583499	CTL 26 E GB 240V	39	465,00
583843	CTL 36 E GB 110V	49	579,00
583844	CTL 36 E GB 240V	49	579,00
583866	ASA 2500 CT/SR-EU	133	1.479,00
583867	ASA 5000 CT/SR-EU	196	2.195,00
583868	ASA 6000 CT/SR-EU	205	2.295,00
583881	TC 3000/2	46	545,00
584003	CTM 26 E GB 240V	53	625,00
584020	CTL 26 E AC GB 110V	46	549,00
584021	CTL 26 E AC GB 240V	46	549,00
584061	CTM 36 E AC-PLANEX GB 110V	73	859,00
584100	LR 32-SYS	0	356,80
691127	LEX 2 125/7	38	445,00
691128	LEX 2 125/3	38	445,00
691133	LEX 2 150/7	38	445,00
691135	LEX 2 150/3	38	445,00
691136	LEX 2 150/11	38	445,00
692049	LRS 93 M	37	425,00
692096	LEX 2 185/7	42	475,00
692099	LRS 400	45	525,00
712254	APS 900/MFS-VP 200	0	278,50
712255	APS 900/HW-D14/HW-WP	0	444,70
712256	APS 900/MFS/HW-D14/HW-WP	0	458,00
712257	VAC SYS Set SE1 GB 240V	90	929,00

Order no.	Type	Tool Points	Trade price € exc. VAT
-----------	------	----------------	------------------------

FESTOOL

Tools for the toughest demands

TTS Tooltechnic Systems (Ireland) Ltd.

C/O McCann Duffy Cleary
E12 Calmount Park
Ballymount
Dublin 12
Ireland

Telephone: +353 (01) 8642240
Fax: +353 (01) 8642247
E-mail: sales@festool.ie
Web: www.festool.ie

www.festool.ie

Valid for the Ireland.

We reserve the right to make product changes in the interest of technical development. Price changes, errors and misprints reserved.

All prices are subject to the current VAT rate.

Festool Craftsman price list 2011

Art.-Nr. 61350



4 014549 163016

